

ROLLER BEARING CONTENTS

TAPERED ROLLER BEARINGS

900 Series Eccentric Lock.....	100
E920 Series Setscrew Lock	106
950 Series Eccentric Lock.....	114
970 Series Setscrew Lock.....	118

SPHERICAL ROLLER BEARINGS

1000 Series Setscrew Lock.....	124
1100 Series Setscrew Lock	132
22500 Series Adapter Mounted Bearing Units	136
Cast Iron Pillow Blocks	138
Cast Steel Pillow Blocks	140
22200 Series Cylindrical Bore Mounted Bearing Units	
Cast Iron Pillow Blocks	141
Cast Steel Pillow Blocks	142
22500/22200 Accessories	
22200 Adapter Bearings.....	143
22500 Adapter Assemblies.....	144
22200 Cylindrical Bore Bearings	145
22200 Cylindrical Bore Assemblies	145
Tactonite Seals & End Covers	147
Heavy Duty Frames	149

Tapered Roller Bearings

PB900

Dimensionally Interchangeable with most Type E's

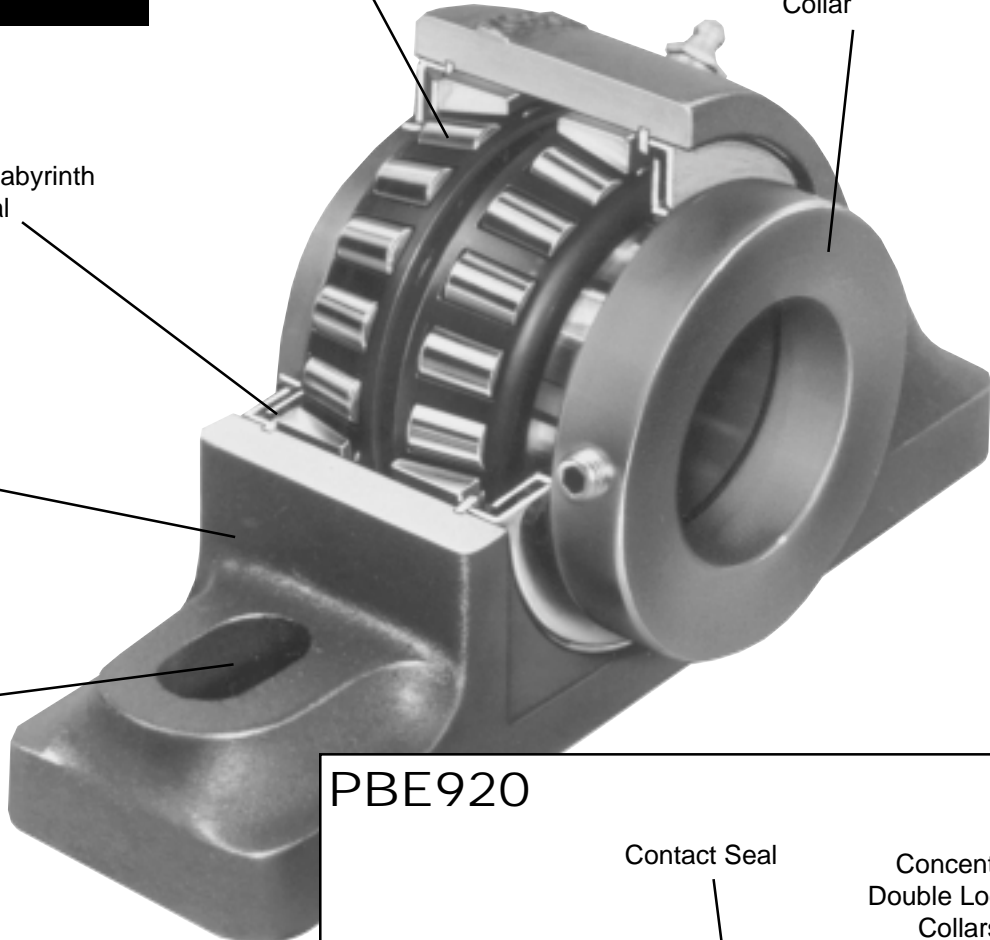
Tapered Roller Bearings Allow for Combination Radial and Thrust Loads

Eccentric Lock Collar

Centrap® Labyrinth Seal

One Piece Ductile Iron Housing

Elongated Bolt Holes to Facilitate Mounting

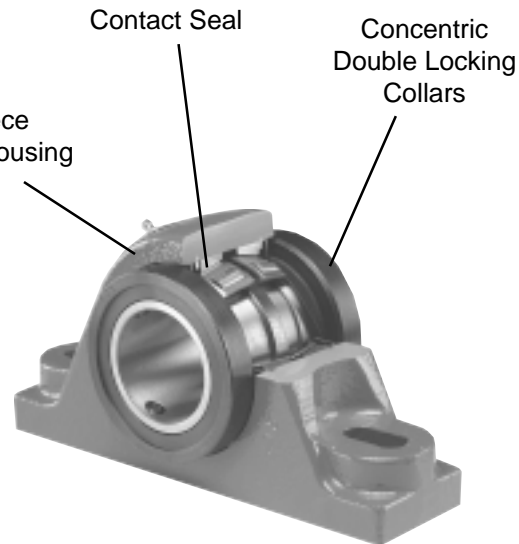


PBE920

Contact Seal

Concentric Double Locking Collars

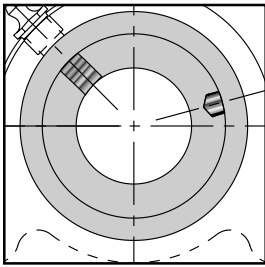
One Piece Cast Iron Housing



Note: Other features are like the 900 series.

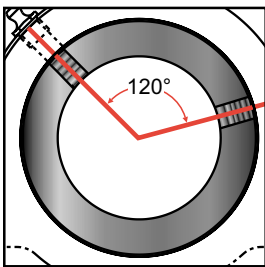
BROWNING TAPERED ROLLER BEARINGS 900/E920 SERIES FEATURES/BENEFITS

LOCKING



900 ECCENTRIC LOCK
Browning Roller Bearings have a rugged eccentric locking collar that mates with the inner race for shaft hold. One end of the inner race is machined to a cam form and the mating lock collar has an off center counterbore. The wedge action of the collar on the

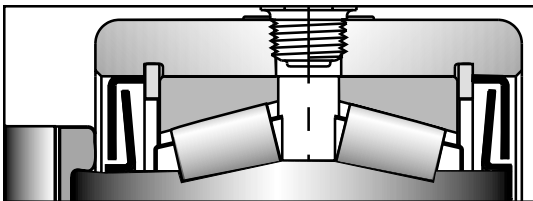
inner race secures the inner race to the shaft. This locking method tends to tighten and grip the shaft and not leave burrs as with setscrew collars. Great for applications where shock and vibration are prominent because eccentric systems resist shaft hold loosening. **NOTE: Eccentric collars are not recommended for reversing applications.**



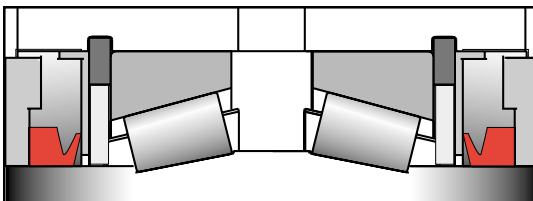
E920 SETSCREW LOCK
This locking device has two rugged lock collars with two setscrews to anchor the bearing to the inner race. The elastic deflection of the collar serves to retain the bearing hold to the shaft. Double locking collars with setscrews at 120° provide

improved holding power and shaft lock especially in applications with heavy vibration or uni-directional loads. Browning lock collars are chemically processed through an alkaline solution which primes the surface of the steel for corrosion resistance.

SEALS



900 SEALS - CENTRAP® labyrinth seals contain an angled flinger that rotates with the shaft creating a centrifugal force to help keep out contamination. Excess grease purges from the seal to help remove contaminants caught in the lubricant and prevent seal damage from over lubrication. The non-contact labyrinth design reduces drag, saves energy and normally cannot be blown by overgreasing.



E920 SEALS - Rubber contact face seals are designed to retain lubricant and help exclude contaminants. The seal is designed with a long flexible face that seals axially against the counterface. The contact seal is self purging. It retains low torque characteristics and rotates with the shaft to help reduce contaminant build-up on the seal. It's low friction reduces heat generation and wear.

See page 152 for trademark acknowledgments.

BROWNING TAPERED ROLLER BEARINGS 900/E920 SERIES FEATURES/BENEFITS

HOUSING



DUCTILE

900 HOUSING - 900 Series ductile iron housings are approximately twice as strong as cast iron. This is an important feature in applications such as sawmills where heavy loads and shock conditions are normally experienced. Elongated bolt holes in the housing base permit easy replacement of competitive pillow blocks and more adjustment capability.



CAST IRON

E920 HOUSING- Browning compact solid one piece cast iron housings provide strength and load support in a wide variety of applications. Elongated bolt holes in the housing base permit easy replacement of competitive pillow blocks and more adjustment capability

TABLE OF CONTENTS

PB900 Pillow Blocks	100
FB900 Flange Blocks	101
FC900 Flange Cartridges ...	102
TU900 Take Ups	104
T900 Take Up Frames	105
900 Ratings	110
900 Interchange Tables	162
PBE920 Pillow Blocks	106
FBE920 Flange Blocks	107
TUE900 Take Ups	108
T1000 Take Up Frames	109
E920 Ratings	111
E920 Interchange Tables	162
950/970	112
1000/1100	122
22200/22500	136

Tapered Roller Bearings

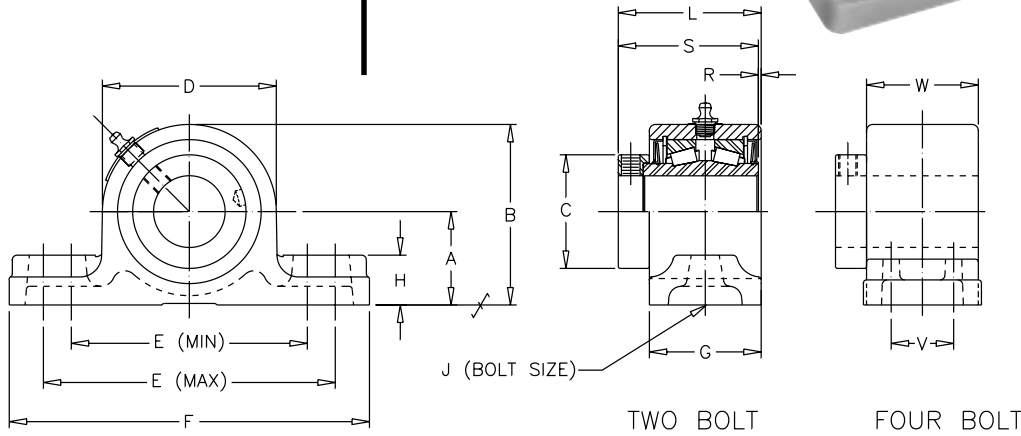
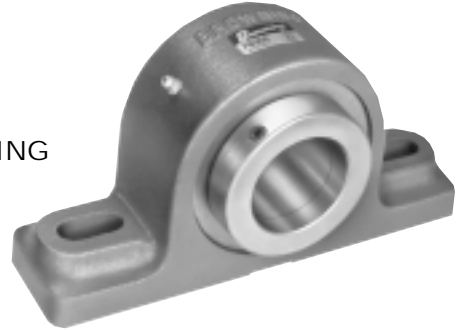
PB900

Lock: Eccentric
Seal: CENTRAP[®] Labyrinth
Housing: Ductile Iron
Temperatures: -20°F to 200°F
Fitting: 1/8" NPT
Bearing Insert: Tapered Roller

P PILLOW
 B BLOCK
 9 900 SERIES
 0 ECCENTRIC
 0 TAPERED ROLLER BEARING

Load Rating Tables: Page 110
Interchange Tables: Page 162

Dimensional Interchange
with most Type E's



SHAFT DIA. IN	Dimensions In Inches															UNIT WT.
	A	B	C	D	E		F	G	H	J	L	R	S	V	W	
					MIN.	MAX.										
TWO BOLT BASE																
1	1 9/16	3 1/32	1 15/16	2 15/16	4 1/8	4 5/8	5 7/8	2 1/8	3/4	1/2	2 21/32	5/64	2 35/64	-	-	4.4
1 3/16	1 1/4	3 13/32	2 3/16	3 5/16	4 1/2	5	6 3/8	2 1/4	3/4	1/2	2 13/16	1/16	2 3/4	-	-	5.7
1 3/8	1 7/8	3 5/8	2 3/16	3 1/2	4 3/4	5 7/8	7 1/4	2 1/4	1	1/2	2 7/8	1/16	2 13/16	-	-	6.3
1 7/16	1 7/8	3 5/8	2 3/16	3 1/2	4 3/4	5 7/8	7 1/4	2 1/4	1	1/2	2 7/8	1/16	2 13/16	-	-	6.3
1 1/2	2 1/8	4	2 1/2	3 3/4	5 1/4	6 3/8	7 3/4	2 3/8	1 1/8	1/2	2 15/16	1/8	2 13/16	-	-	7.7
1 5/8	2 1/8	4	2 1/2	3 3/4	5 1/4	6 3/8	7 3/4	2 3/8	1 1/8	1/2	2 15/16	1/8	2 13/16	-	-	7.7
1 15/16	2 1/4	4 17/32	3	4 9/16	6	7 1/8	8 7/8	2 7/16	1 1/4	5/8	3 5/32	3/32	3 1/16	-	-	11.2
2	2 1/4	4 17/32	3	4 9/16	6	7 1/8	8 7/8	2 7/16	1 1/4	5/8	3 5/32	3/32	3 1/16	-	-	11.2
2 1/8	2 1/2	4 31/32	3 3/8	4 15/16	6 1/2	7 7/8	9 5/8	2 1/2	1 1/4	5/8	3 7/32	3/32	3 1/8	-	-	13.1
2 3/16	2 1/2	4 31/32	3 3/8	4 15/16	6 1/2	7 7/8	9 5/8	2 1/2	1 1/4	5/8	3 7/32	3/32	3 1/8	-	-	13.1
2 1/4	2 3/4	5 5/8	3 3/8	5 1/4	6 7/8	8 5/8	10 3/8	2 13/16	1 3/8	5/8	3 29/64	5/32	3 1/4	-	-	16.3
2 7/16	2 3/4	5 5/8	3 3/8	5 1/4	6 7/8	8 5/8	10 3/8	2 13/16	1 3/8	5/8	3 29/64	5/32	3 1/4	-	-	16.3
2 1/2	3 1/8	6 1/16	4	5 7/8	7 7/8	9 5/8	11 5/8	2 5/8	1 3/8	3/4	3 15/32	3/32	3 3/8	-	-	19.9
2 11/16	3 1/8	6 1/16	4	5 7/8	7 7/8	9 5/8	11 5/8	2 5/8	1 3/8	3/4	3 15/32	3/32	3 3/8	-	-	19.9
2 3/4	3 1/8	6 1/16	4	5 7/8	7 7/8	9 5/8	11 5/8	2 5/8	1 3/8	3/4	3 15/32	3/32	3 3/8	-	-	19.9
2 15/16	3 5/16	6 9/16	4 1/4	6 1/2	8 3/8	9 3/4	11 3/4	3 1/8	1 5/8	3/4	3 31/32	3/32	3 7/8	-	-	26.8
3	3 5/16	6 9/16	4 1/4	6 1/2	8 3/8	9 3/4	11 3/4	3 1/8	1 5/8	3/4	3 31/32	3/32	3 7/8	-	-	26.8
3 3/16	3 3/4	7 3/8	4 11/16	7 1/4	9 3/8	11 1/4	13 1/2	3 1/8	1 7/8	7/8	4 5/64	1/16	4	-	-	34.1
3 7/16	3 3/4	7 3/8	4 11/16	7 1/4	9 3/8	11 1/4	13 1/2	3 1/8	1 7/8	7/8	4 5/64	1/16	4	-	-	34.1
3 1/2	4 1/8	8	5 1/4	7 3/4	10 1/16	11 11/16	14 1/4	3 7/8	2	1	4 29/32	5/32	4 3/4	-	-	47.7
3 15/16	4 1/8	8	5 1/4	7 3/4	10 1/16	11 11/16	14 1/4	3 7/8	2	1	4 29/32	5/32	4 3/4	-	-	47.7
4	FOUR BOLT BASE															
4 7/16	4 3/4	9 1/8	6 1/8	8 3/4	11 3/4	13 3/4	15 7/8	4 1/2	2 1/4	3/4	5 7/16	1/16	5 3/16	2 1/2	4 1/8	65.0
4 1/2	4 3/4	9 1/8	6 1/8	8 3/4	11 3/4	13 3/4	15 7/8	4 1/2	2 1/4	3/4	5 7/16	1/16	5 3/16	2 1/2	4 1/8	65.0
4 15/16	5 1/2	10 1/16	6 5/8	9 1/8	13 3/4	15 3/4	18 1/8	5	2 1/2	7/8	5 27/32	3/32	5 3/8	2 3/4	4 1/4	77.0
5	5 1/2	10 1/16	6 5/8	9 1/8	13 3/4	15 3/4	18 1/8	5	2 1/2	7/8	5 27/32	3/32	5 3/8	2 3/4	4 1/4	77.0

Part Numbers are specified by "PB900" and bore size: Example **PB900x 1 3/16"**.
 Bearings with Eccentric Locking Collars are not recommended for reversing applications.

REV 2

Tapered Roller Bearings

FB900



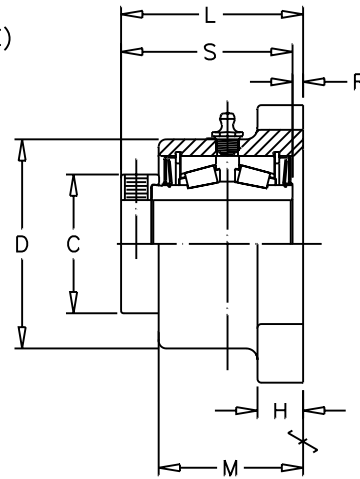
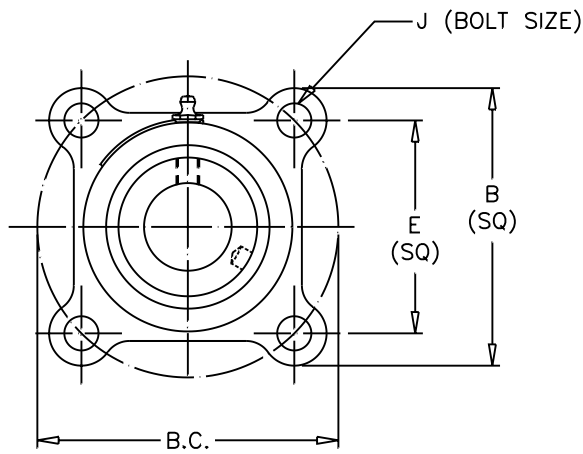
FLANGE F
BLOCK B

900 SERIES 9
ECCENTRIC LOCK 0
TAPERED ROLLER BEARING 0

Dimensional Interchange
with most Type E's

Lock: Eccentric
Seal: CENTRAP® Labyrinth
Housing: Ductile Iron
Temperatures: -20°F to 200°F
Fitting: 1/8" NPT
Bearing Insert: Tapered Roller

Load Rating Tables: Page 110
Interchange Tables: Page 162



SHAFT DIA. IN.	Dimensions In Inches											UNIT WT.
	B	B.C.	C	D	E	H	J	L	M	R	S	
1	3 5/8	3 7/8	1 15/16	2 15/16	2 3/4	9/16	3/8	2 23/32	2 1/8	11/64	2 35/64	3.9
1 3/16												
1 1/4	3 7/8	4 1/4	2 3/16	3 1/4	3	5/8	3/8	2 15/16	2 3/8	11/64	2 3/4	4.9
1 3/8												
1 7/16	4 9/16	4 61/64	2 3/16	3 7/16	3 1/2	3/4	1/2	3	2 3/8	11/64	2 13/16	5.5
1 1/2												
1 5/8	5 1/4	5 53/64	2 1/2	3 11/16	4 1/8	7/8	1/2	3 1/16	2 1/2	1/4	2 13/16	7.0
1 11/16										1/4		
1 3/4										1/4		
1 7/8	5 1/2	6 3/16	3	4 1/2	4 3/8	7/8	1/2	3 9/32	2 9/16	7/32	3 1/16	10.2
1 15/16												
2												
2 1/8	6 3/16	6 57/64	3 3/8	4 7/8	4 7/8	1	5/8	3 11/32	2 5/8	7/32	3 1/8	12.3
2 3/16												
2 1/4	6 3/4	7 19/32	3 3/8	5 3/16	5 3/8	1	5/8	3 29/64	2 11/16	13/64	3 1/4	14.8
2 7/16												
2 1/2	7 5/8	8 31/64	4	5 3/4	6	1 1/16	3/4	3 19/32	2 3/4	7/32	3 3/8	18.7
2 11/16												
2 3/4												
2 15/16	7 7/8	8 53/64	4 1/4	6 3/8	6 1/4	1 1/4	3/4	4 5/32	3 5/16	9/32	3 7/8	26.2
3												
3 3/16	8 5/8	9 57/64	4 11/16	7 1/8	7	1 5/16	3/4	4 17/64	3 5/16	17/64	4	33.1
3 7/16												
3 1/2	9 7/8	10 61/64	5 1/4	7 11/16	7 3/4	1 1/2	7/8	5 3/32	4 1/16	21/64	4 3/4	47.1
3 15/16												
4	10 7/8	12 3/8	6 1/8	8 3/4	8 3/4	1 1/2	7/8	5 7/16	4 5/16	1/4	5 3/16	64.0
4 7/16												
4 1/2												

Part Numbers are specified by "FB900" and bore size: Example **FB900x 1 3/16"**.
Bearings with Eccentric Locking Collars are not recommended for reversing applications.
See page 152 for trademark acknowledgments.

REV 1



Tapered Roller Bearings

FC900

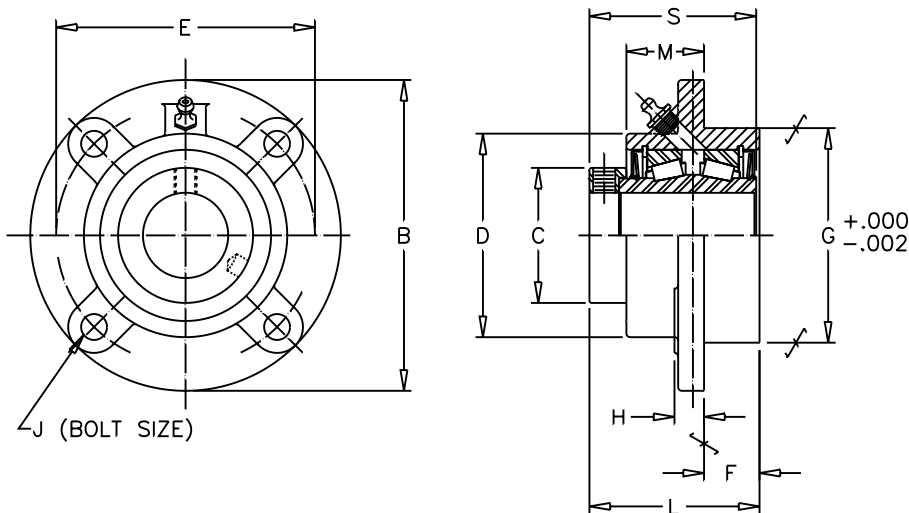
Lock: Eccentric
Seal: CENTRAP[®] Labyrinth
Housing: Cast Iron
Temperatures: -20°F to 200°F
Fitting: 1/8" NPT
Bearing Insert: Tapered Roller

F FLANGE
C CARTRIDGE

9 900 SERIES
0 ECCENTRIC LOCK
0 TAPERED ROLLER BEARING

Load Rating Tables: Page 110
Interchange Tables: Page 162

Dimensional Interchange with most Type E's



SHAFT DIA. IN.	Dimensions In Inches											UNIT WT.
	B	C	D	E	F	G	H	J	L	M	S	
1	4 3/8	1 15/16	2 15/16	3 5/8	15/16	3	7/16	5/16	2 19/32	1 1/16	2 35/64	4.0
1 3/16	5	2 3/16	3 1/4	4 1/8	1	3 3/8	7 16	3/8	2 13/16	1 1/4	2 3/4	5.3
1 1/4												
1 3/8												
1 7/16	5 1/4	2 3/16	3 7/16	4 3/8	15/16	3 5/8	1/2	3/8	2 7/8	1 5/16	2 13/16	6.0
1 1/12												
1 5/8	6 1/8	2 1/2	3 11/16	5 1/8	1 1/16	4 15/64	1/2	3/8	2 15/16	1 5/16	2 13/16	7.9
1 11/16												
1 3/4												
1 7/8	6 3/8	3	4 1/2	5 3/8	1 1/16	4 1/2	9/16	3/8	3 5/32	1 3/8	3 1/16	10.0
1 15/16												
2												
2 18	7 1/8	3 3/8	4 7/8	6	1 1/8	5	9/16	1/2	3 7/32	1 3/8	3 1/8	14.0
2 3/16												
2 1/4												
2 7/16	7 5/8	3 3/8	5 3/16	6 1/2	1 1/8	5 1/2	5/8	1/2	3 21/64	17/16	3 1/4	15.5
2 1/2												
2 11/16												
2 3/4	8 3/4	3 7/16	5 3/4	7 1/2	1 1/4	6 3/8	3/4	5/8	3 15/32	1 3/8	3 3/8	21.6
2 15/16												
3	8 3/4	4 1/4	6 3/8	7 1/2	1 7/16	6 3/8	3/4	5/8	3 31/32	1 11/16	3 7/8	31.0
3 3/16												
3 7/16												
3 1/2	10 1/4	4 11/16	7 1/8	8 5/8	1 5/16	7 3/8	15/16	3/4	4 5/64	1 13/16	4	40.0

Part Numbers are specified by "FC900" and bore size: Example **FC900x 1 3/16"**. Bearings with Eccentric Locking Collars are not recommended for reversing applications.

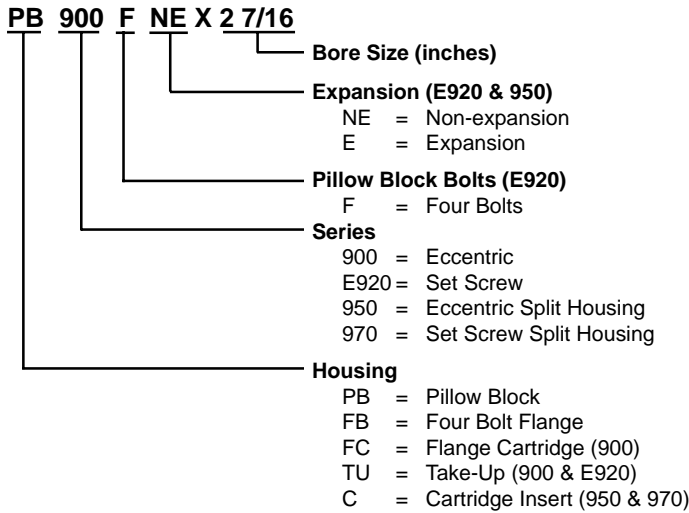
REV 1

Browning®

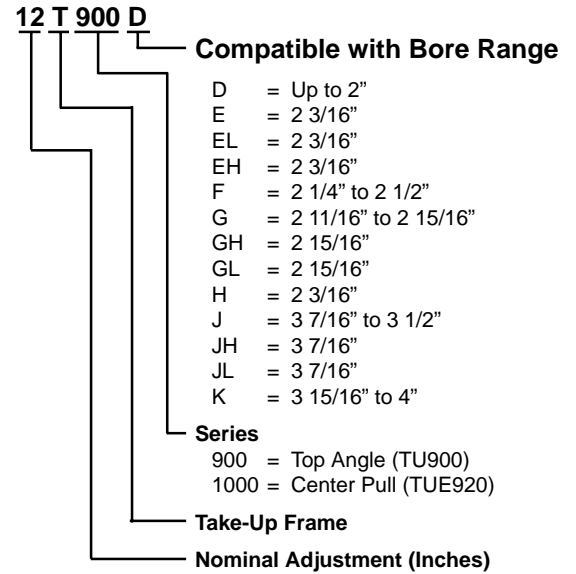
Roller Bearings

Part Number Explanation

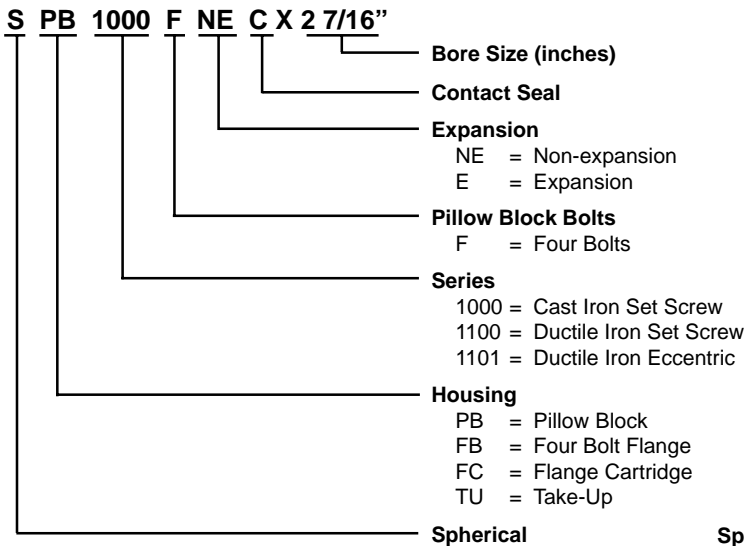
Tapered Roller Bearings Series (900, E920, 970, 950)



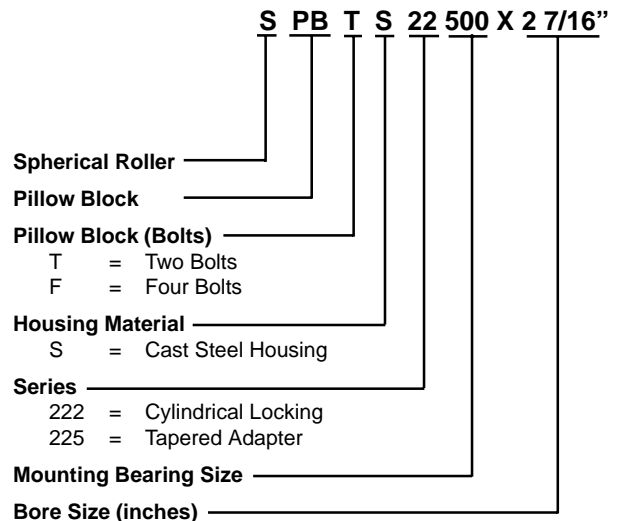
Take Up Frames



Spherical Roller Bearings Series (1000, 1100, 1101)



Spherical Roller Bearings Series (22500, 22200)





Tapered Roller Bearings

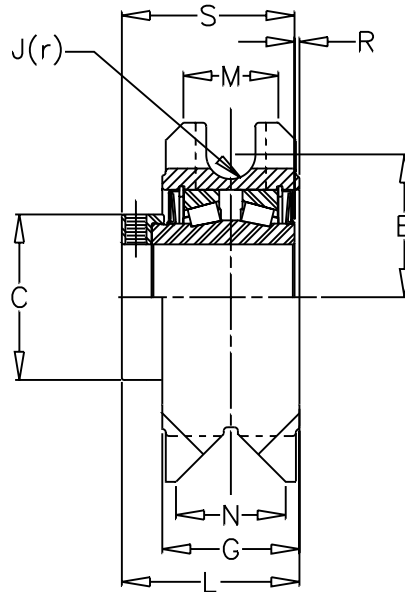
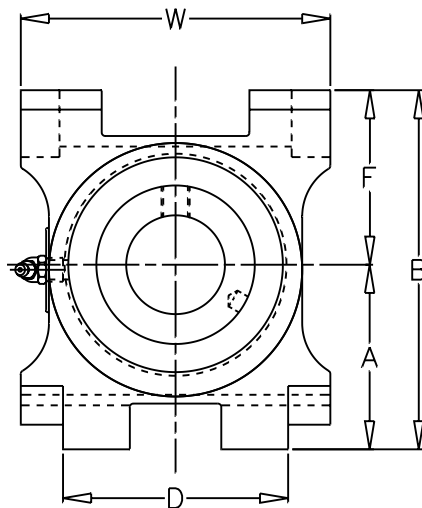
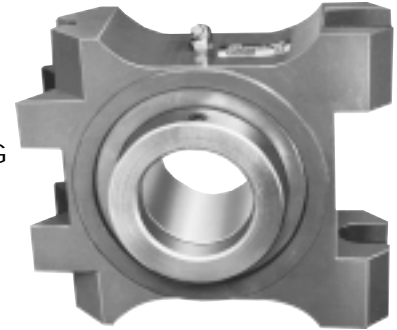
TU900

Lock: Eccentric
Seal: CENTRAP[®] Labyrinth
Housing: Ductile Iron
Temperatures: - 20°F to 200°F
Fitting: 1/8" NPT
Bearing Insert: Tapered Roller

T TAKE
 U UP

9 900 SERIES
 0 ECCENTRIC LOCK
 0 TAPERED ROLLER BEARING

Load Rating Tables: Page 110
Interchange Tables: Page 162



SHAFT DIA. IN.	Dimensions In Inches														UNIT WT.
	A	B	C	D	E	F	G	J	L	M	N	R	S	W	
1 7/8															
1 15/16	3 9/32	6 3/8	3	4	2 17/32	3 3/32	2 7/16	7/16	3 5/32	1 11/16	1 61/64	3/32	3 1/16	5 1/2	13.9
2															
2 1/8															
2 3/16	3 17/32	6 15/16	3 3/8	4	2 27/32	3 13/32	2 1/2	7/16	3 7/32	1 11/16	2 5/64	3/32	3 1/8	6	16.6
2 1/4															
2 7/16	3 23/32	7 9/16	3 3/8	4 5/8	3 3/32	3 27/32	2 9/16	9/16	3 21/64	1 7/8	2 9/64	5/64	3 1/4	6 1/2	19.6
2 1/2															
2 11/16															
2 3/4	4 1/32	8 3/16	4	4 5/8	3 7/16	4 5/32	2 5/8	9/16	3 15/32	1 7/8	2 13/64	3/32	3 3/8	7	24.0
2 15/16															
3 7/16	4 49/64	9 7/8	4 11/16	5 3/4	4 11/64	5 7/64	3 1/8	11/16	4 5/64	2 1/4	2 11/16	5/64	4	8 1/2	41.8
3 1/2															
3 15/16	5 17/32	10 7/8	5 1/4	5 3/4	4 15/32	5 11/32	3 7/8	11/16	4 29/32	2 1/4	3 9/32	5/32	4 3/4	9 1/4	61.0
4															

Part Numbers are specified by "TU900" and bore size: Example **TU900x 1 3/16"**.
 Bearings with Eccentric Locking Collars are not recommended for reversing applications.

REV 2

Tapered Roller Bearings

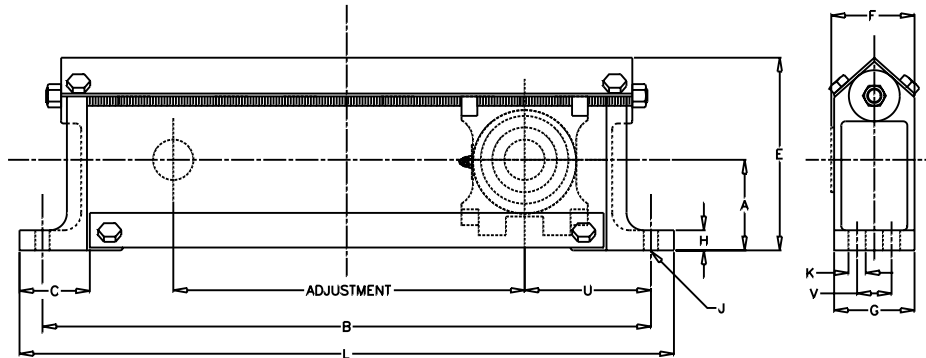
T900

TAKE UP FRAME T

900 SERIES 9

ECCENTRIC LOCK 0

TAPERED ROLLER BEARING 0



FRAME PART NO.	BORE RANGE	Adjustment*		Dimensions In Inches												UNIT WT.
		Nominal	Actual	A	B	C	E	F	G	H	J	K	L	U	V	
12T900D	1 7/8-2	12	15 1/2	3 15/16	26 1/2	2 15/16	8 3/8	3 11/16	3 1/2	7/8	5/8	1	28 1/2	5 1/2	-	31.5
18T900D	1 7/8-2	18	21 1/2	3 15/16	32 1/2	2 15/16	8 3/8	3 11/16	3 1/2	7/8	5/8	1	34 1/2	5 1/2	-	37.2
24T900D	1 7/8-2	24	27 1/2	3 15/16	38 1/2	2 15/16	8 3/8	3 11/16	3 1/2	7/8	5/8	1	40 1/2	5 1/2	-	41.7
12T900E	2 3/16	12	16 1/2	4 3/16	27 1/2	3 11/32	8 15/16	3 23/32	3 1/2	7/8	5/8	1	29 1/2	5 1/2	-	32.8
18T900E	2 3/16	18	22 1/2	4 3/16	33 1/2	3 11/32	8 15/16	3 23/32	3 1/2	7/8	5/8	1	35 1/2	5 1/2	-	38.6
24T900E	2 3/16	24	28 1/2	4 3/16	39 1/2	3 11/32	8 15/16	3 23/32	3 1/2	7/8	5/8	1	41 1/2	5 1/2	-	44.6
12T900F	2 1/4-2 1/2	12	16	4 3/8	28 1/2	3 7/16	9 21/32	4 3/64	4	7/8	3/4	1 5/16	30 1/2	6 1/4	-	43.8
18T900F	2 1/4-2 1/2	18	22	4 3/8	34 1/2	3 7/16	9 21/32	4 3/64	4	7/8	3/4	1 5/16	36 1/2	6 1/4	-	50.0
24T900F	2 1/4-2 1/2	24	28	4 3/8	40 1/2	3 7/16	9 21/32	4 3/64	4	7/8	3/4	1 5/16	42 1/2	6 1/4	-	55.0
12T900G	2 11/16-2 15/16	12	17 1/2	5	30 1/2	3 31/32	10 11/16	4 1/2	4 1/2	7/8	5/8	1	32 1/2	6 1/2	2	56.5
18T900G	2 11/16-2 15/16	18	23 1/2	5	36 1/2	3 31/32	10 11/16	4 1/2	4 1/2	7/8	5/8	1	38 1/2	6 1/2	2	63.5
24T900G	2 11/16-2 15/16	24	29 1/2	5	42 1/2	3 31/32	10 11/16	4 1/2	4 1/2	7/8	5/8	1	44 1/2	6 1/2	2	72.5
12T900J	3 7/16-3 1/2	12	17 5/8	5 1/2	32	4	12 7/32	4 49/64	4 1/2	7/8	3/4	1	34 1/4	7 1/8	2	72.0
18T900J	3 7/16-3 1/2	18	23 5/8	5 1/2	38	4	12 7/32	4 49/64	4 1/2	7/8	3/4	1	40 1/4	7 1/8	2	78.0
24T900J	3 7/16-3 1/2	24	29 5/8	5 1/2	44	4	12 7/32	4 49/64	4 1/2	7/8	3/4	1	46 1/4	7 1/8	2	85.0
12T900K	3 15/16-4	12	20 1/8	7	36	4 1/2	14 1/16	5 23/32	5 1/2	7/8	3/4	1	38 1/2	7 7/8	2 1/2	76.0
18T900K	3 15/16-4	18	26 1/8	7	42	4 1/2	14 1/16	5 23/32	5 1/2	7/8	3/4	1	44 1/2	7 7/8	2 1/2	85.0
24T900K	3 15/16-4	24	32 1/8	7	48	4 1/2	14 1/16	5 23/32	5 1/2	7/8	3/4	1	50 1/2	7 7/8	2 1/2	94.0

REV 0

Part Numbers are specified by "T900" with travel adjustment and bore size: Example, **12T900F** has 12"-16" adjustment and will accommodate a TU900x 2 1/4" - TU900x 2 1/2" bearing unit.

These Take-Up Frames are to be used with Take-Up Units shown on page 104.

Bearing unit and frame must be ordered separately.

Tapered Roller Bearings

PBE920

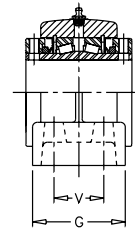
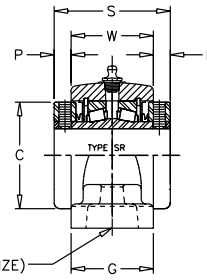
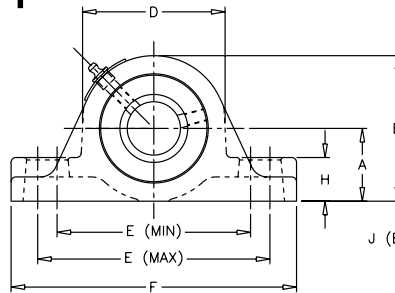
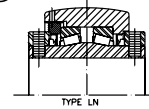
Lock: Set Screw
Seal: Contact
Housing: Cast Iron
Temperatures: -20° to 200°F
Fitting: 1/8" NPT
Bearing Insert: Tapered Roller

Load Rating Tables: Page 111
Interchange Tables: Page 162

P PILLOW
 B BLOCK
 E TYPE 'E'

9 920
 2 SET SCREW LOCK
 0 TAPERED ROLLER BEARING

Dimensional Interchange
 with most Type E's



TWO BOLT

FOUR BOLT

SHAFT DIA. IN.	TYPE	Dimensions in Inches													UNIT WT.	
		A	B	C	D	E		F	G	H	J	P	S	V		W
						MIN	MAX									
TWO BOLT BASE																
1 3/16	SR	1 1/2	3	2 1/4	3	4 5/16	5	6 3/8	1 7/8	7/8	1/2	29/64	2 25/32	-	1 7/8	4.0
1 1/4		1 7/8	3 3/4	2 3/4	3 5/8	5	6	7 3/8	2 1/8	1 1/8	1/2	7/16	3	-	2 1/8	6.9
1 3/8		1 7/8	3 3/4	2 3/4	3 5/8	5	6	7 3/8	2 1/8	1 1/8	1/2	7/16	3	-	2 1/8	6.9
1 7/16		1 7/8	3 3/4	2 3/4	3 5/8	5	6	7 3/8	2 1/8	1 1/8	1/2	7/16	3	-	2 1/8	6.9
1 1/2	SR	2 1/8	4 1/4	3 3/16	4 1/4	5 11/16	6 1/2	7 7/8	2 1/2	1 1/4	1/2	15/32	3 3/8	-	2 1/2	9.5
1 5/8		2 1/8	4 1/4	3 3/16	4 1/4	5 11/16	6 1/2	7 7/8	2 1/2	1 1/4	1/2	15/32	3 3/8	-	2 1/2	9.5
1 11/16		2 1/8	4 1/4	3 3/16	4 1/4	5 11/16	6 1/2	7 7/8	2 1/2	1 1/4	1/2	15/32	3 3/8	-	2 1/2	9.5
1 3/4		2 1/8	4 1/4	3 3/16	4 1/4	5 11/16	6 1/2	7 7/8	2 1/2	1 1/4	1/2	15/32	3 3/8	-	2 1/2	9.5
1 15/16	SR	2 1/4	4 1/2	3 7/16	4 1/2	6 3/16	7 1/4	8 7/8	2 1/2	1 1/4	5/8	1/2	3 1/2	-	2 1/2	11.0
2		2 1/4	4 1/2	3 7/16	4 1/2	6 3/16	7 1/4	8 7/8	2 1/2	1 1/4	5/8	1/2	3 1/2	-	2 1/2	11.0
2 3/16		2 1/4	4 1/2	3 7/16	4 1/2	6 3/16	7 1/4	8 7/8	2 1/2	1 1/4	5/8	1/2	3 1/2	-	2 1/2	11.0
2 1/4		2 1/4	4 1/2	3 7/16	4 1/2	6 3/16	7 1/4	8 7/8	2 1/2	1 1/4	5/8	1/2	3 1/2	-	2 1/2	11.0
2 7/16	SR	2 3/4	5 1/2	4 1/16	5 3/8	7 1/8	8 3/4	10 1/2	2 7/8	1 5/8	5/8	9/16	4	-	2 7/8	19.0
2 1/2		2 3/4	5 1/2	4 1/16	5 3/8	7 1/8	8 3/4	10 1/2	2 7/8	1 5/8	5/8	9/16	4	-	2 7/8	19.0
2 11/16		2 3/4	5 1/2	4 1/16	5 3/8	7 1/8	8 3/4	10 1/2	2 7/8	1 5/8	5/8	9/16	4	-	2 7/8	19.0
2 3/4		2 3/4	5 1/2	4 1/16	5 3/8	7 1/8	8 3/4	10 1/2	2 7/8	1 5/8	5/8	9/16	4	-	2 7/8	19.0
2 15/16	SR	3 1/8	6 1/4	4 23/32	6 1/4	8 7/16	9 3/4	12	3	1 3/4	3/4	3/4	4 1/2	-	3	26.0
3		3 1/8	6 1/4	4 23/32	6 1/4	8 7/16	9 3/4	12	3	1 3/4	3/4	3/4	4 1/2	-	3	26.0
3 3/16		3 1/8	6 1/4	4 23/32	6 1/4	8 7/16	9 3/4	12	3	1 3/4	3/4	3/4	4 1/2	-	3	26.0
3 7/16		3 1/8	6 1/4	4 23/32	6 1/4	8 7/16	9 3/4	12	3	1 3/4	3/4	3/4	4 1/2	-	3	26.0
3 1/2	LN	3 3/4	7 1/2	5 7/16	7 5/8	9 3/4	11 1/2	14	3 5/8	2 1/8	7/8	11/16	5	-	3 5/8	44.0
3 3/16		3 3/4	7 1/2	5 7/16	7 5/8	9 3/4	11 1/2	14	3 5/8	2 1/8	7/8	11/16	5	-	3 5/8	44.0
3 7/16		3 3/4	7 1/2	5 7/16	7 5/8	9 3/4	11 1/2	14	3 5/8	2 1/8	7/8	11/16	5	-	3 5/8	44.0
3 1/2		3 3/4	7 1/2	5 7/16	7 5/8	9 3/4	11 1/2	14	3 5/8	2 1/8	7/8	11/16	5	-	3 5/8	44.0
FOUR BOLT BASE																
2 1/4	SR	2 3/4	5 1/2	4 1/16	5 3/8	7 1/8	8 3/4	10 1/2	3 1/2	1 5/8	5/8	9/16	4	1 7/8	2 7/8	19.0
2 7/16		2 3/4	5 1/2	4 1/16	5 3/8	7 1/8	8 3/4	10 1/2	3 1/2	1 5/8	5/8	9/16	4	1 7/8	2 7/8	19.0
2 1/2		2 3/4	5 1/2	4 1/16	5 3/8	7 1/8	8 3/4	10 1/2	3 1/2	1 5/8	5/8	9/16	4	1 7/8	2 7/8	19.0
2 11/16		2 3/4	5 1/2	4 1/16	5 3/8	7 1/8	8 3/4	10 1/2	3 1/2	1 5/8	5/8	9/16	4	1 7/8	2 7/8	19.0
2 3/4	SR	3 1/8	6 1/4	4 23/32	6 1/4	8	9 7/8	12	4	1 3/4	5/8	3/4	4 1/2	2 1/8	3	26.0
2 15/16		3 1/8	6 1/4	4 23/32	6 1/4	8	9 7/8	12	4	1 3/4	5/8	3/4	4 1/2	2 1/8	3	26.0
3		3 1/8	6 1/4	4 23/32	6 1/4	8	9 7/8	12	4	1 3/4	5/8	3/4	4 1/2	2 1/8	3	26.0
3 3/16		3 1/8	6 1/4	4 23/32	6 1/4	8	9 7/8	12	4	1 3/4	5/8	3/4	4 1/2	2 1/8	3	26.0
3 7/16	LN	3 3/4	7 1/2	5 7/16	7 1/2	9 11/16	11 7/16	14	4 1/2	2 1/8	3/4	11/16	5	2 3/8	3 5/8	44.0
3 1/2		3 3/4	7 1/2	5 7/16	7 1/2	9 11/16	11 7/16	14	4 1/2	2 1/8	3/4	11/16	5	2 3/8	3 5/8	44.0
3 15/16		3 3/4	7 1/2	5 7/16	7 1/2	9 11/16	11 7/16	14	4 1/2	2 1/8	3/4	11/16	5	2 3/8	3 5/8	44.0
4		3 3/4	7 1/2	5 7/16	7 1/2	9 11/16	11 7/16	14	4 1/2	2 1/8	3/4	11/16	5	2 3/8	3 5/8	44.0
4 7/16	LN	4 1/4	8 1/2	5 15/16	8 1/2	10 7/16	12 7/8	15 1/4	4 1/2	2 7/16	3/4	7/8	6 1/4	2 1/4	4 1/2	65.0
4 1/2		4 1/4	8 1/2	5 15/16	8 1/2	10 7/16	12 7/8	15 1/4	4 1/2	2 7/16	3/4	7/8	6 1/4	2 1/4	4 1/2	65.0
4 15/16		4 1/4	8 1/2	5 15/16	8 1/2	10 7/16	12 7/8	15 1/4	4 1/2	2 7/16	3/4	7/8	6 1/4	2 1/4	4 1/2	65.0
5		4 1/4	8 1/2	5 15/16	8 1/2	10 7/16	12 7/8	15 1/4	4 1/2	2 7/16	3/4	7/8	6 1/4	2 1/4	4 1/2	65.0
4 7/16	LN	4 3/4	9 3/8	6 13/32	9 1/8	11 1/4	13 7/8	16 5/8	4 5/8	2 3/4	3/4	1 1/16	6 3/4	2 1/2	4 5/8	81.0
4 1/2		4 3/4	9 3/8	6 13/32	9 1/8	11 1/4	13 7/8	16 5/8	4 5/8	2 3/4	3/4	1 1/16	6 3/4	2 1/2	4 5/8	81.0
4 15/16		4 3/4	9 3/8	6 13/32	9 1/8	11 1/4	13 7/8	16 5/8	4 5/8	2 3/4	3/4	1 1/16	6 3/4	2 1/2	4 5/8	81.0
5		4 3/4	9 3/8	6 13/32	9 1/8	11 1/4	13 7/8	16 5/8	4 5/8	2 3/4	3/4	1 1/16	6 3/4	2 1/2	4 5/8	81.0

Part Numbers are specified by "PBE920" and bore size: Example, **PBE920x 1 3/16"**.
 Add "F" for Four Bolt Base: Example, **PBE920Fx 2 7/16"**.

REV 2

Tapered Roller Bearings

FBE920



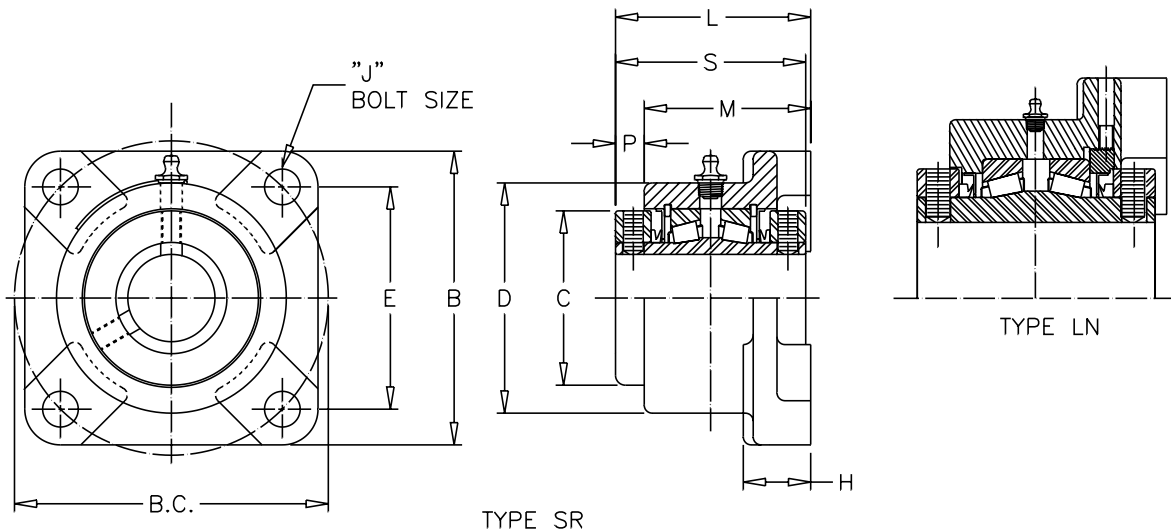
FLANGE F
BLOCK B
TYPE 'E' E

920 9
SET SCREW LOCK 2
TAPERED ROLLER BEARING 0

Dimensional Interchange
with most Type E's

Lock: Set Screw
Seal: Contact
Housing: Cast Iron
Temperatures: -20° to 200°F
Fitting: 1/8" NPT
Bearing Insert: Tapered Roller

Load Rating Tables: Page 111
Interchange Tables: Page 162



SHAFT DIA. IN.	TYPE	Dimensions In Inches											UNIT WT.
		B	B.C	C	D	E	H	J	L	M	P	S	
1 3/16 1 1/4	SR	3 3/4	4 1/16	2 1/4	3	2 7/8	1 1/32	3/8	2 27/32	2 3/8	15/32	2 25/32	4.5
1 3/8 1 7/16	SR	4 5/8	4 61/64	2 3/4	3 5/8	3 1/2	1 1/16	1/2	3 5/64	2 5/8	29/64	3	6.7
1 1/2 1 5/8 1 11/16	SR	5 3/8	5 53/64	3 3/16	4 1/4	4 1/8	1 3/16	1/2	3 29/64	3	29/64	3 3/8	10.0
1 3/4 1 15/16 2	SR	5 5/8	6 3/16	3 7/16	4 1/2	4 3/8	1 3/16	1/2	3 5/8	3 1/8	1/2	3 1/2	12.0
2 3/16 2 1/4 2 7/16 2 1/2	SR	6 1/4	6 57/64	3 3/4	4 7/8	4 7/8	1 1/4	5/8	3 7/8	3 5/16	9/16	3 3/4	16.0
2 1/2 2 11/16 2 3/4 2 15/16 3	SR	6 7/8	7 39/64	4 1/16	5 1/4	5 3/8	1 1/2	5/8	4 3/16	3 5/8	9/16	4	21.0
2 11/16 2 3/4 2 15/16 3	SR	7 3/4	8 31/64	4 23/32	6 1/8	6	1 5/8	3/4	4 11/16	3 15/16	3/4	4 1/2	28.0
3 3/16 3 7/16 3 1/2	LN	9 1/4	9 29/32	5 7/16	7 1/2	7	1 7/8	3/4	5 1/4	4 9/16	11/16	5	46.0
3 15/16 4	LN	10 1/4	10 31/32	5 15/16	8 1/4	7 3/4	2 3/16	7/8	6 9/16	5 11/16	7/8	6 1/4	64.0

Part Numbers are specified by "FBE920" and bore size: Example, **FBE920x 1 3/16"**.

REV 1



Tapered Roller Bearings

TUE920

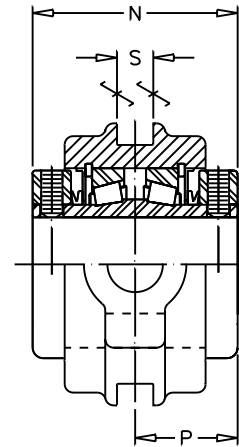
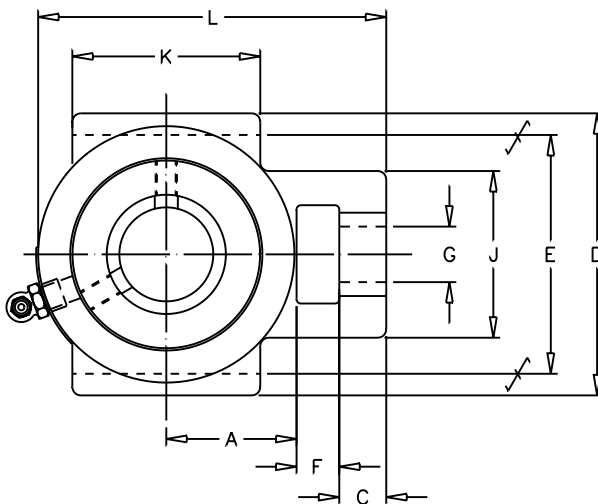
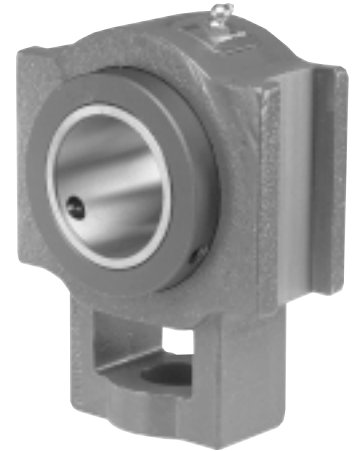
Lock: Set Screw
Seal: Contact
Housing: Cast Iron
Temperatures: -20° to 200°F
Fitting: 1/8" NPT
Bearing Insert: Tapered Roller

Load Rating Tables: Page 111
Interchange Tables: Page 162

T TAKE
 U UP
 E TYPE 'E'

 9 920
 2 SET SCREW LOCK
 0 TAPERED ROLLER BEARING

Dimensional Interchange
with most Type E's



SHAFT DIA. IN.	Dimensions in Inches												UNIT WT.
	A	C	D	E	F	G	J	K	L	N	P	S	
*1 3/8	1 29/32	11/16	4 1/8	3 1/2	5/8	13/16	2 7/16	2 3/4	5 3/32	3	1 1/2	17/32	6.0
*1 7/16													
1 1/2	2 1/8	5/8	4 3/4	4	1 1/16	1 1/16	2 7/8	3 1/4	6	3 3/8	1 11/16	11/16	9.0
1 11/16													
1 3/4	2 1/8	3/4	4 3/4	4	1 1/16	1 1/16	2 7/8	3 1/2	6 3/16	3 1/2	1 3/4	11/16	12.0
1 15/16													
2	2 3/8	3/4	5 1/4	4 1/2	1 3/16	1 3/16	3 1/2	3 3/4	6 13/16	3 3/4	1 7/8	13/16	16.0
2 3/16													
2 7/16	2 3/4	7/8	5 7/8	5 1/8	1 5/16	1 5/16	3 3/4	4 3/4	7 15/16	4	2	1 1/16	21.0
2 1/2													
2 11/16													
2 3/4	3	1	6 3/4	5 15/16	1 9/16	1 9/16	4 1/4	4 3/4	8 3/4	4 1/2	2 1/4	1 13/16	30.0
2 15/16													
3 7/16	3 5/8	1	7 5/8	6 13/16	1 13/16	1 13/16	4 7/8	6 1/4	10 7/16	5	2 1/2	1 13/16	44.0
3 15/16													
4 7/16	4 1/8	1 1/8	9 7/16	8 5/8	2 1/8	2 3/16	5 5/8	7	11 13/16	6 1/4	3 1/8	2 1/16	70.0
4 7/16													

Part Numbers are specified by "TUE920" and bore size: Example, TUE920x 1 3/16".

These Take-Up Bearings are to be used with Take-Up Frames shown on page 109.

Bearing unit and frame must be ordered separately.

* Take -Up frames not available in these sizes.

REV 1



Tapered Roller Bearings

Tapered Roller Bearing 900 and 950 Series

This chart displays the Browning 900 and 950 Series Tapered Roller Bearing's load capacity for a given L10 life, speed and shaft size. Values in the table represent loads at ideal conditions. The shaded areas indicate the maximum speed for the 950 series only. Select 950 Series where aligning capability is required. For combined load determination, see **THE BEARING SELECTION SECTION**, page 264. Areas designated by "-" exceed maximum speed value.

Match Bore Size

SIZE	"K" FACTOR	2 ROW RATING	1 ROW RATING	THRUST RATING*	L10 HOURS	REVOLUTIONS PER MINUTE													
						50	100	150	250	500	750	1000	1500	1750	2000	2500	3000	3500	
1	1.42	3700	2130	1500	5000	4179	4179	4179	3908	3174	2578	2283	2180	2094	1959	1854	1771		
					10000	4179	4179	3700	3174	2578	2283	2094	1854	1771	1701	1591	1506	1438	
					30000	3700	3005	2611	2283	1854	1642	1506	1334	1273	1223	1144	1083	1034	887
					50000	3174	2578	2283	1959	1591	1409	1292	1144	1093	1050	982	929	887	829
					100000	2578	2094	1854	1591	1292	1144	1050	929	887	853	797	755	721	671
1 3/16	1.53	5130	2950	1930	5000	5794	5794	5794	5418	4401	3897	3575	3165	3022	2904	2716	2571		
					10000	5794	5794	5130	4401	3575	3165	2904	2571	2455	2358	2206	2088	1944	
					30000	5130	4167	3690	3165	2571	2277	2088	1849	1766	1696	1586	1502	1434	1334
					50000	4401	3575	3165	2716	2206	1953	1792	1586	1515	1455	1361	1289	1230	1130
					100000	3575	2904	2571	2206	1792	1586	1455	1289	1230	1182	1106	1047	999	949
1 1/4	1.53	5130	2950	1930	5000	5794	5794	5794	5418	4401	3897	3575	3165	3022	2904	2716	2571		
					10000	5794	5794	5130	4401	3575	3165	2904	2571	2455	2358	2206	2088	1944	
					30000	5130	4167	3690	3165	2571	2277	2088	1849	1766	1696	1586	1502	1434	1334
					50000	4401	3575	3165	2716	2206	1953	1792	1586	1515	1455	1361	1289	1230	1130
					100000	3575	2904	2571	2206	1792	1586	1455	1289	1230	1182	1106	1047	999	949
1 1/8	1.53	5130	2950	1930	5000	5794	5794	5794	5418	4401	3897	3575	3165	3022	2904	2716	2571		
					10000	5794	5794	5130	4401	3575	3165	2904	2571	2455	2358	2206	2088	1944	
					30000	5130	4167	3690	3165	2571	2277	2088	1849	1766	1696	1586	1502	1434	1334
					50000	4401	3575	3165	2716	2206	1953	1792	1586	1515	1455	1361	1289	1230	1130
					100000	3575	2904	2571	2206	1792	1586	1455	1289	1230	1182	1106	1047	999	949
1 7/16	1.46	5930	3410	2330	5000	6697	6697	6697	6263	5087	4505	4132	3659	3494	3356	3139	2972		
					10000	6697	6697	5930	5087	4132	3659	3356	2972	2838	2726	2550	2414	2272	
					30000	5930	4817	4265	3659	2972	2632	2414	2138	2041	1961	1834	1736	1636	
					50000	5087	4132	3659	3139	2550	2258	2071	1834	1751	1682	1573	1490	1400	
					100000	4132	3356	2972	2550	2071	1834	1682	1490	1422	1366	1278	1210	1130	
1 1/2	1.46	5930	3410	2330	5000	6697	6697	6697	6263	5087	4505	4132	3659	3494	3356	3139	2972		
					10000	6697	6697	5930	5087	4132	3659	3356	2972	2838	2726	2550	2414	2272	
					30000	5930	4817	4265	3659	2972	2632	2414	2138	2041	1961	1834	1736	1636	
					50000	5087	4132	3659	3139	2550	2258	2071	1834	1751	1682	1573	1490	1400	
					100000	4132	3356	2972	2550	2071	1834	1682	1490	1422	1366	1278	1210	1130	
1 5/8	1.37	6050	3470	2540	5000	6833	6833	6833	6390	5190	4596	4216	3733	3564	3424	3203	2972		
					10000	6833	6833	6050	5190	4216	3733	3424	3032	2895	2781	2601	2414	2272	
					30000	6050	4914	4351	3733	3032	2685	2463	2181	2082	2000	1871	1736	1636	
					50000	5190	4216	3733	3203	2601	2303	2113	1871	1786	1716	1605	1502	1400	
					100000	4216	3424	3032	2601	2113	1871	1716	1520	1451	1394	1304	1210	1130	
1 3/4	1.37	6050	3470	2540	5000	6833	6833	6833	6390	5190	4596	4216	3733	3564	3424	3203	2972		
					10000	6833	6833	6050	5190	4216	3733	3424	3032	2895	2781	2601	2414	2272	
					30000	6050	4914	4351	3733	3032	2685	2463	2181	2082	2000	1871	1736	1636	
					50000	5190	4216	3733	3203	2601	2303	2113	1871	1786	1716	1605	1502	1400	
					100000	4216	3424	3032	2601	2113	1871	1716	1520	1451	1394	1304	1210	1130	
1 7/8	1.65	8550	4910	2980	5000	9656	9656	8656	9031	7335	6495	5958	5276	5037	4839	4639	4439		
					10000	9656	9656	8550	7335	5958	5276	4839	4285	4091	3931	3731	3531	3331	
					30000	8550	6945	6149	5276	4285	3794	3481	3082	2943	2827	2627	2427	2227	
					50000	7335	5958	5276	4526	3676	3255	2986	2644	2525	2425	2225	2025	1825	
					100000	5958	4839	4285	3676	2986	2644	2425	2148	2051	1970	1770	1570	1370	
2	1.65	8550	4910	2980	5000	9656	9656	8656	9031	7335	6495	5958	5276	5037	4839	4639	4439		
					10000	9656	9656	8550	7335	5958	5276	4839	4285	4091	3931	3731	3531		
					30000	8550	6945	6149	5276	4285	3794	3481	3082	2943	2827	2627	2427	2227	
					50000	7335	5958	5276	4526	3676	3255	2986	2644	2525	2425	2225	2025	1825	
					100000	5958	4839	4285	3676	2986	2644	2425	2148	2051	1970	1770	1570	1370	
2 1/8	1.65	8550	4910	2980	5000	9656	9656	8656	9031	7335	6495	5958	5276	5037	4839	4639	4439		
					10000	9656	9656	8550	7335	5958	5276	4839	4285	4091	3931	3731	3531		
					30000	8550	6945	6149	5276	4285	3794	3481	3082	2943	2827	2627	2427	2227	
					50000	7335	5958	5276	4526	3676	3255	2986	2644	2525	2425	2225	2025	1825	
					100000	5958	4839	4285	3676	2986	2644	2425	2148	2051	1970	1770	1570	1370	
2 3/16	1.51	9090	5220	3470	5000	10266	10266	10266	9601	7798	6905	6334	5609	5355	5145	4919			
					10000	10266	10266	9090	7798	6334	5609	5145	4556	4350	4179	3979	3779		
					30000	9090	7383	6538	5609	4556	4034	3700	3277	3129	3006	2806	2606		
					50000	7798	6334	5609	4812	3908	3461	3175	2811	2684	2579	2379	2179		
					100000	6334	5145	4556	3908	3175	2811	2579	2283	2180	2095	1895	1695		
2 1/4	1.45	9290	5340	3670	5000	10492	10492	10492	9812	7970	7057	6474	5732	5473	5247				
					10000	10492	10492	9290	7970	6474	5732	5258	4656	4446	4246	4046			
					30000	9290	7546	6682	5732	4656	4123	3782	3349	3197	3047	2847			
					50000	7970	6474	5732	4918	3994	3537	3245	2873	2743	2543	2343			
					100000	6474	5258	4656	3994	3245	2873	2635	2334	2228	2028	1828			
2 7/16	1.45	9290	5340	3670	5000	10492	10492	10492	9812	7970	7057	6474	5732	5473	5247				
					10000	10492	10492	9290	7970	6474	5732	5258	4656	4446	4246	4046			
					30000	9290	7546	6682	5732	4656	4123	3782	3349	3197	3047	2847			
					50000	7970	6474	5732	4918	3994	3537	3245	2873	2743	2543	2343			
					100000	6474	5258	4656	3994	3245	2873	2635	2334	2228	2028	1828			
2 1/2	1.45	9290	5340	3670	5000	10492	10492	10492	9812	7970	7057	6474	5732	5473	5247				
					10000	10492	10492	9290	7970	6474	5732	5258	4656	4446	4246	4046			
					30000	9290	7546	6682	5732	4656	4123	3782	3349	3197	3047	2847			
					50000	7970	6474	5732	4918	3994	3537	3245	2873	2743	2543	2343			
					100000	6474	5258	4656	3994	3245	2873	2635	2334	2228	2028	1828			
2 11/16	1.30	9600	5510	4260	5000	10842	10842												



Tapered Roller Bearings

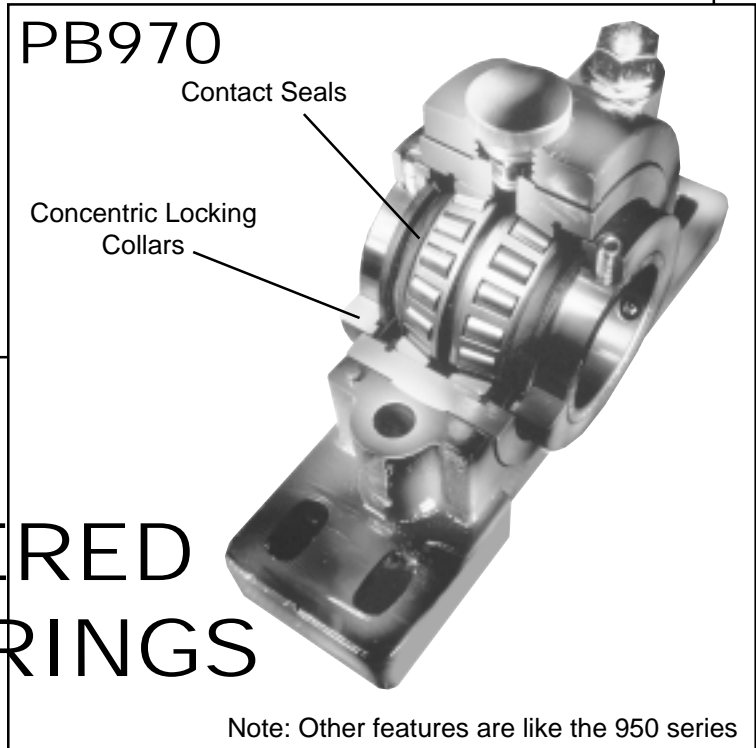
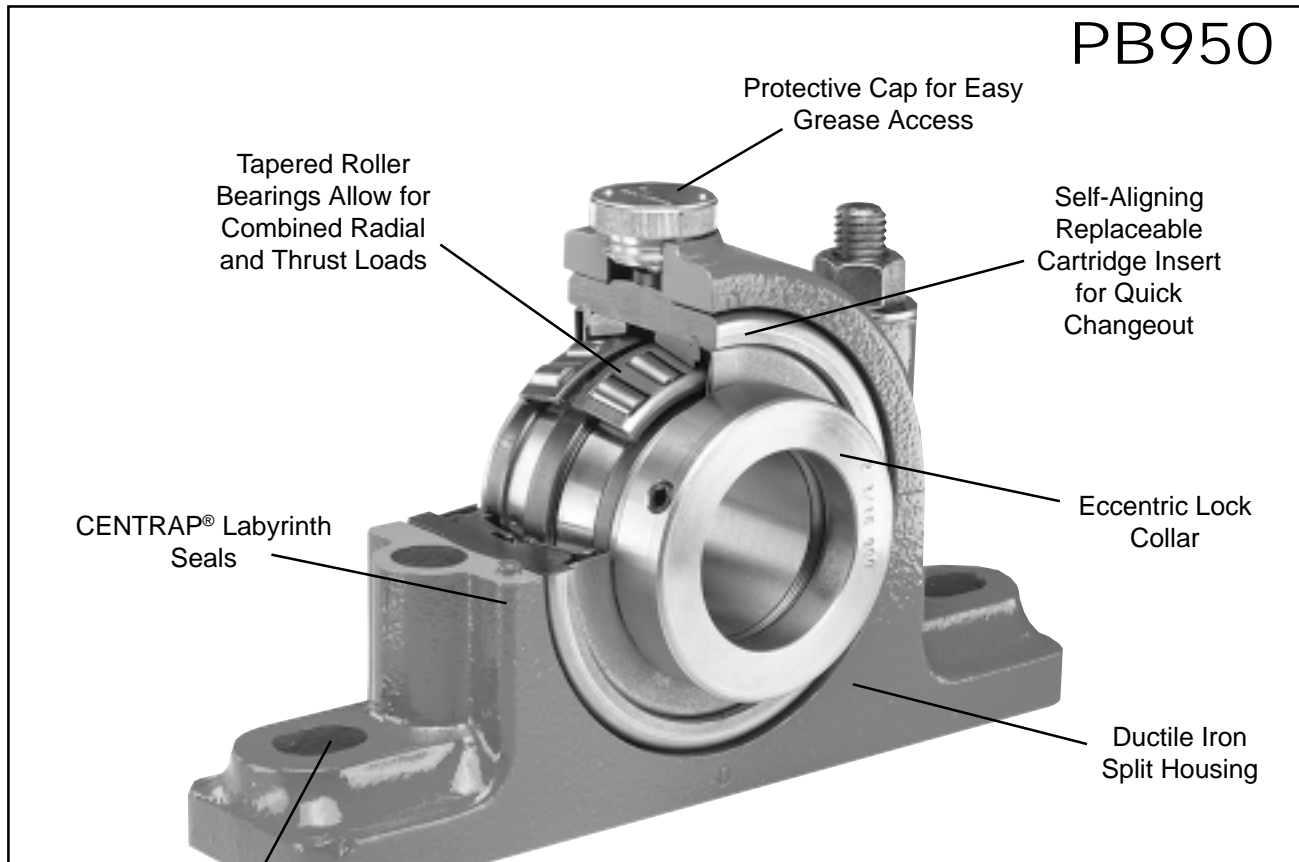
Tapered Roller Bearing 920 and 970 Series

This chart displays the Browning 920 and 970 Series Tapered Roller Bearing's load capacity for a given L10 life, speed and shaft size. Values in the table represent loads at ideal conditions. The shaded areas indicate the maximum speed for the 970 series only. For combined load determination, see **THE BEARING SELECTION SECTION**, page 264. Areas designated by “-” exceed maximum speed value.

Match Bore Size

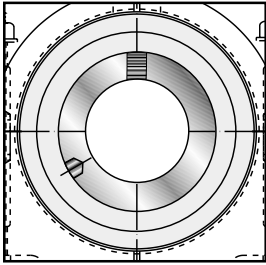
SIZE	"K" FACTOR	2 ROW RATING	1 ROW RATING	THRUST RATING*	HOURS	REVOLUTIONS PER MINUTE													
						50	100	150	250	500	750	1000	1500	1750	2000	2500	3000	3500	4000
1 3/16 1 1/4	1.23	2975	1710	1390	5000	3360	3360	3360	3142	2552	2260	2073	1836	1753	1684	1575	1491	1424	1368
					10000	3360	3360	2975	2552	2073	1836	1491	1424	1368	1279	1211	1156	1111	
					30000	2975	2416	2140	1836	1491	1320	1211	1072	1024	984	920	871	832	799
					50000	2552	2073	1836	1575	1279	1133	1039	920	878	844	789	747	714	685
					100000	2073	1684	1491	1279	1039	920	844	747	714	685	641	607	580	556
1 3/8 1 7/16	1.31	4760	2740	2080	5000	5376	5376	5376	5028	4084	3616	3317	2937	2804	2694	2520	2386	2278	2278
					10000	5376	5376	4760	4084	3317	2937	2694	2386	2278	2188	2047	1938	1850	
					30000	4760	3866	3424	2937	2386	2112	1938	1716	1638	1574	1472	1394	1331	
					50000	4084	3317	2937	2520	2047	1812	1662	1472	1406	1350	1263	1196	1142	
					100000	3317	26741	2386	2047	1662	1472	1350	1196	1142	1097	1026	971	927	
1 1/2 1 11/16	1.36	6140	3530	2600	5000	6934	6934	6934	6485	5268	4664	4279	3789	3617	3475	3250	3077		
					10000	6934	6934	6140	5268	4279	3789	3475	3077	2938	2823	2640	2500		
					30000	6140	4987	4416	3789	3077	2725	2500	2213	2030	1899	1798			
					50000	5268	4279	3789	3250	2640	2338	2144	1899	1813	1742	1629	1542		
					100000	4279	3475	3077	2640	2144	1899	1742	1542	1473	1415	1323	1253		
1 3/4 1 15/16 2	1.83	8070	4640	2540	5000	9114	9114	9114	8524	6923	6130	5624	4979	4754	4568	4272			
					10000	9114	9114	8070	6923	5624	4979	4568	4045	3862	3710	3470			
					30000	8070	6555	5804	4979	4045	3581	3285	2909	2777	2668	2496			
					50000	6923	5624	4979	4272	3470	3072	2818	2496	2383	2289	2141			
					100000	5624	4568	4045	3470	2818	2496	2289	2027	1935	1859	1739			
2 3/16	1.65	8570	4910	2980	5000	9679	9679	9679	9052	7352	6510	5972	5288	5049	4851	4537			
					10000	9679	9679	8570	7352	5972	5288	4851	4295	4101	3940	3685			
					30000	8570	6961	6164	5288	4295	3803	3489	3089	2950	2834	2650			
					50000	7352	5972	5288	4537	3685	3263	2993	2650	2530	2431	2274			
					100000	5972	4851	4295	3685	2993	2650	2431	2153	2055	1975	1847			
2 1/4 2 7/16 2 1/2	1.51	9030	5220	3470	5000	10198	10198	10198	9538	7747	6860	6293	5572	5320	5111				
					10000	10198	10198	9030	7747	6293	5572	5111	4526	4321	4152				
					30000	9030	7335	6495	5572	4526	4007	3676	3255	3108	2986				
					50000	7747	6293	5572	4780	3883	3438	3154	2793	2666	2562				
					100000	6293	5111	4526	3883	3154	2793	2562	2268	2166	2081				
2 11/16 2 15/16 3	1.30	9630	5510	4260	5000	10876	10876	10876	10171	8262	7316	6711	5942	5674					
					10000	10876	10876	9630	8262	6711	5942	5451	4826	4608					
					30000	9630	7822	6926	5942	4826	4274	3920	3471	3314					
					50000	8262	6711	5942	5098	4141	3666	3363	2978	2843					
					100000	6711	5451	4826	4141	3363	2978	2732	2419	2310					
3 3/16 3 7/16 3 1/2	1.19	15320	8790	7410	5000	17302	17302	17302	16181	13143	11638	10676	9453						
					10000	17302	17302	15320	13143	10676	9453	8671	7678						
					30000	15320	12444	11018	9453	7678	6799	6273	5522						
					50000	13143	10676	9453	8110	6587	5833	5351	4738						
					100000	10676	8671	7678	6587	5351	4738	4346	3848						
3 15/16 4	1.23	20980	12100	9800	5000	23694	23694	23694	22159	17999	15938	14620	12945						
					10000	23694	23694	20980	17999	14620	12945	11875	10515						
					30000	20980	17041	15089	12945	10515	9311	8411	7563						
					50000	17999	14620	12945	11106	9021	7988	7327	6488						
					100000	14620	11875	10515	9021	7327	6488	5952	5270						
4 7/16 4 1/2	1.13	25750	14800	13100	5000	29081	29081	29081	27198	22091	19561	17944							
					10000	29081	29081	25750	22091	17944	15889	14575							
					30000	25750	20915	18520	15889	12906	11427	10483							
					50000	22091	17944	15889	13631	11072	9804	8993							
					100000	17944	14575	12906	11072	8993	7963	7305							
4 15/16 5	1.27	35520	20400	16000	5000	40114	40114	40114	37517	30473	26983	24752							
					10000	40114	40114	35520	30473	24752	21917	20105							
					30000	35520	28851	25547	21917	17802	15763	14460							
					50000	30473	24752	21917	18803	15273	13524	12405							
					100000	24752	20105	17802	15273	12405	10985	10076							

Tapered Roller Bearings



BROWNING 950/970 TAPERED ROLLER BEARINGS FEATURES/BENEFITS

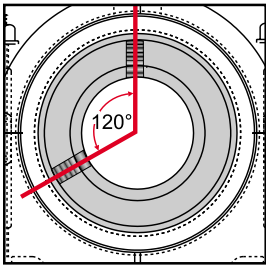
LOCKING



950 ECCENTRIC LOCK-

Browning 950 Series Roller Bearings have a rugged eccentric locking collar that mates with the inner race for improved shaft hold. One end of the inner race is machined to a cam form and the mating lock collar has an off center counterbore. The

wedge action of the collar on the inner race secures the inner race to the shaft. This locking method tends to tighten and grip the shaft and not leave burrs as with setscrew collars. Great for applications where shock and vibration are prominent because eccentric systems resist shaft hold loosening. NOTE: Eccentric collars are not recommended for reversing applications.

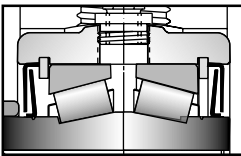


970 SETSCREW LOCK-

This locking device has two rugged lock collars with two setscrews to anchor the bearing to the inner race. The elastic deflection of the collar serves to retain the bearing hold to the shaft. Double locking collars with setscrews at 120°

provides improved holding power and shaft lock especially in applications with vibration or uni-directional loads. Double extended inner races provide improved shaft support – the load is distributed evenly over a wide area. Browning lock collars are chemically processed through an alkaline solution which primes the surface of the steel for corrosion resistance.

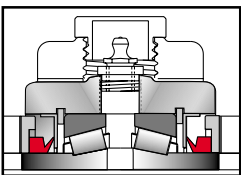
SEALS



950 SEALS - CENTRAP®

Labyrinth seals contain an angled flinger that rotates with the shaft creating a centrifugal force to help keep out contamination. Excess

grease purges from the seal to help remove contaminants caught in the lubricant and prevent seal damage from over lubrication. This non-contact labyrinth design reduces drag, saves energy and normally cannot be blown by over greasing.



970 SEALS -The rubber

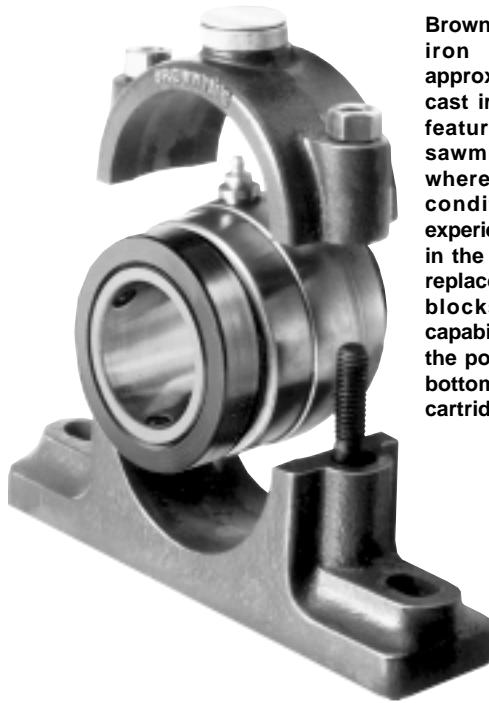
contact face seal is designed to retain lubricant and help exclude contaminants. The seal is designed with a long flexible face that seals axially against the counterface. The

contact seal is self purging. It retains low torque characteristics and rotates with the shaft to help reduce contaminant build-up on the seal. It's low friction reduces heat generation and wear.

See page 152 for trademark acknowledgments.

BROWNING TAPERED ROLLER BEARINGS 950/970 SERIES FEATURES/BENEFITS

HOUSINGS



Browning 950/970 Series ductile iron split housings are approximately twice as strong as cast iron. This is an important feature in application such as sawmills, aggregate and steel where heavy loads and shock conditions are normally experienced. Elongated bolt holes in the housing base permit easy replacement of competitive pillow blocks and more adjustment capability. Guide pins also reduce the possibility of having top and bottom mismatch when replacing cartridge inserts.

TABLE OF CONTENTS

PB950 Pillow Blocks	114
FB950 Flange Blocks	115
C950 Cartridges	116
950 Ratings	117
950 Interchange Tables ...	162

PB970 Pillow Blocks	118
FB970 Flange Blocks	119
C970 Cartridges	120
970 Ratings	121
970 Interchange Tables ...	162
900/E920	98
1000/1100	122
22200/22500	136

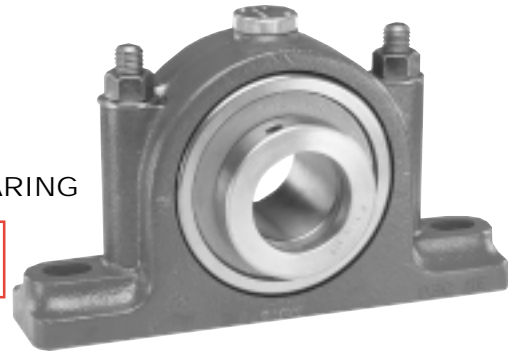
Tapered Roller Bearings

PB950

Lock: Eccentric
Seal: CENTRAP® Labyrinth
Housing: Ductile Iron
Temperatures: -20°F to 200°F
Self Aligning: ±1 1/2°
Fitting: 1/8" NPT
Bearing Insert: Tapered Roller
 (C950 Cartridge)

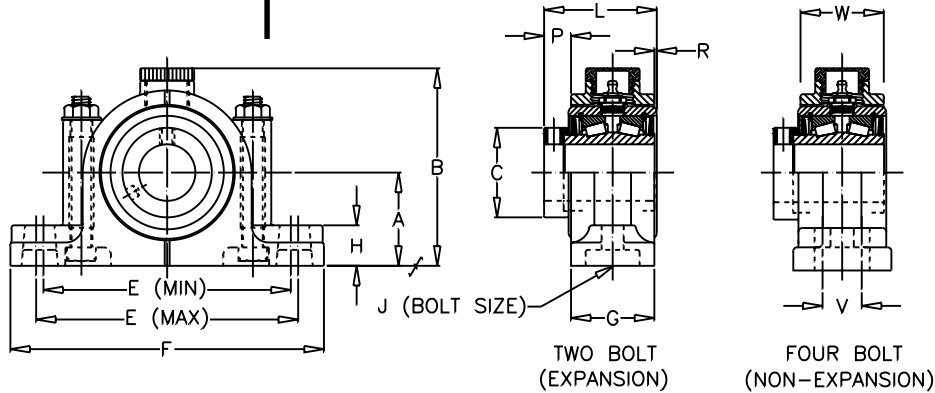
P PILLOW
 B BLOCK
 9 950
 5 ECCENTRIC LOCK
 0 TAPERED ROLLER BEARING

Dimensional Interchange
 with Type K Units



Load Rating Tables: Page 117
Interchange Tables: Page 162

Expansion and Non-Expansion



SHAFT DIA. IN.	Dimensions In Inches														UNIT WT.
	A	B	C	E		F	G	H	J	L	P	R	V	W	
				MIN.	MAX.										
TWO BOLT BASE															
1 7/16	2 3/8	5 1/32	2 3/16	6 5/16	6 11/16	8	2 1/8	1 1/32	1/2	2 7/8	11/16	1/16	-	-	11.0
1 1/2															
1 5/8	2 5/8	5 13/32	2 1/2	7 1/16	7 11/16	9	2 1/4	1 5/32	1/2	2 15/16	5/8	1/8	-	-	13.5
1 11/16															
1 3/4															
1 7/8															
1 15/16	2 7/8	6 1/16	3	7 7/8	8 1/2	10	2 3/8	1 9/32	5/8	3 5/32	3/4	3/32	-	-	18.4
2															
2 1/8															
2 3/16	3	6 13/32	3 3/8	8 1/2	9 1/4	10 7/8	2 1/2	1 9/32	5/8	3 7/32	23/64	3/32	-	-	21.7
2 1/4															
2 7/16	3 1/4	6 25/32	3 3/8	9 3/64	10 5/16	12	2 1/2	1 13/32	5/8	3 21/64	51/64	5/64	-	-	26.0
2 1/2															
2 11/16	3 3/4	7 21/32	4	10 3/16	11 9/16	13 3/8	2 5/8	1 13/32	3/4	3 15/32	27/32	3/32	-	-	33.4
2 3/4															
2 15/16															
3															
3 3/16	3 3/4	7 15/16	4 1/4	10 11/16	12 3/64	13 7/8	3 1/8	1 13/32	3/4	3 31/32	27/32	3/32	-	-	41.7
3 7/16															
3 1/2	4 1/2	9 5/32	4 11/16	12 1/2	13 7/8	16	3 1/8	1 29/32	7/8	4 5/64	61/64	5/64	-	-	57.0
FOUR BOLT BASE															
3 15/16	5	10 1/32	5 1/4	13 3/16	14 13/16	16 3/4	4 1/8	2 1/32	13/16	4 29/32	1 1/32	5/32	2	3 7/8	83.5
4															
4 7/16	5 3/4	11 13/32	6 1/8	14 7/16	16 5/16	18 1/4	4 3/8	2 1/4	3/4	5 1/4	1 1/8	1/16	2 1/4	4 1/8	110.0
4 1/2															
4 15/16	6 1/4	12 9/32	6 5/8	16 1/8	18 1/8	20 3/8	4 7/8	2 1/2	7/8	5 15/32	1 7/32	3/32	2 1/2	4 1/4	141.0
5															

Non-expansion Pillow Block Part Numbers are specified by "PB950NE" and bore size: Example, "PB950NEx2 7/16".
 Expansion Pillow Block Numbers are specified by "PB950E" and bore size: Example, "PB950Ex2 7/16".
 Bearings with eccentric locking collars are not recommended for reversing applications.

REV 1

Tapered Roller Bearings

FB950



FLANGE F
BLOCK B

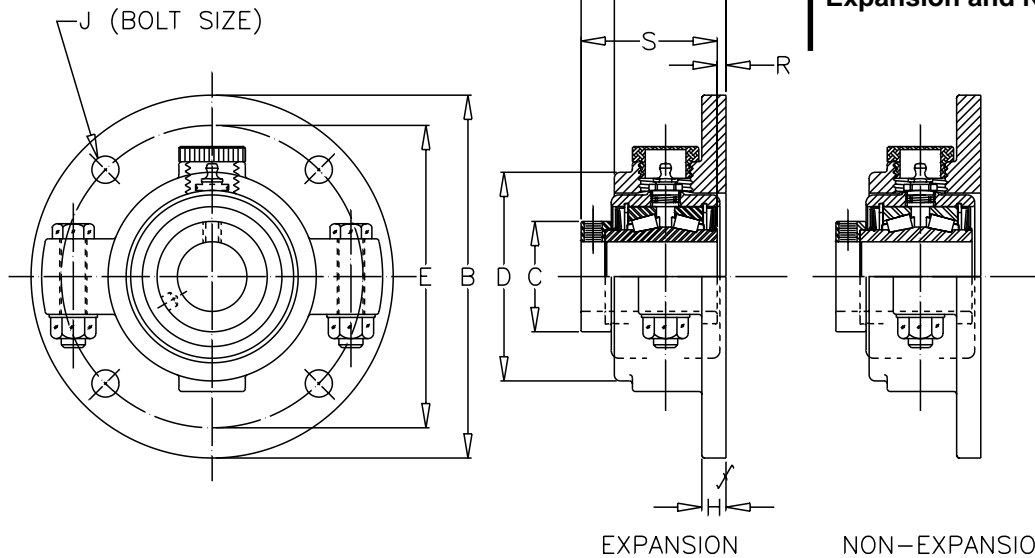
950 9
ECCENTRIC LOCK 5
TAPERED ROLLER BEARING 0

Dimensional Interchange
with Type K Units

Lock: Eccentric
Seal: CENTRAP® Labyrinth
Housing: Ductile Iron
Temperatures: -20°F to 200°F
Self Aligning: ±1 1/2°
Fitting: 1/8" NPT
Bearing Insert: Tapered Roller
(C950 Cartridge)

Load Rating Tables: Page 117
Interchange Tables: Page 162

Expansion and Non-Expansion



SHAFT DIA. IN.	Dimensions In Inches										UNIT WT.
	B	C	D	E	H	J	L	M	R	S	
1 7/16	7 1/2	2 3/16	4 5/16	6 1/4	1/2	1/2	3	2 5/16	3/16	2 13/16	13.3
1 1/2											
1 5/8											
1 11/16	8	2 1/2	4 5/8	6 3/4	1/2	1/2	3 1/16	2 7/16	1/4	2 13/16	16.1
1 3/4											
1 7/8											
1 15/16	8 7/8	3	5 1/2	7 1/2	9/16	5/8	3 5/16	2 9/16	1/4	3 1/16	20.8
2											
2 1/8											
2 3/16	9 3/8	3 3/8	6	8	9/16	5/8	3 13/32	2 11/16	9/32	3 1/8	25.1
2 1/4											
2 7/16	9 7/8	3 3/8	6 5/16	8 1/2	5/8	5/8	3 35/64	2 3/4	19/64	3 1/4	29.4
2 1/2											
2 11/16											
2 3/4	11 1/4	4	7 1/8	9 3/4	11/16	3/4	3 25/32	2 15/16	13/32	3 3/8	38.2
2 15/16											
3											
3 3/16	11 1/4	4 1/4	7 5/8	9 3/4	11/16	3/4	4 9/32	3 7/16	13/32	3 7/8	45.8
3 7/16											
3 1/2	13 1/4	4 11/16	8 5/8	11 1/2	3/4	7/8	4 25/64	3 7/16	13/32	4	61.0
3 15/16											
4	15 1/4	5 1/4	9 3/8	13	13/16	1 1/32	5 9/32	4 1/4	17/32	4 3/4	98.0
4 7/16											
4 1/2	17	6 1/8	10 5/8	15	1	1 1/32	5 5/8	4 1/2	7/16	5 3/16	134.0
4 15/16											
5	18 1/8	6 5/8	11 3/8	16	1 1/8	1 1/8	5 27/32	4 5/8	15/32	5 3/8	157.0

Non-Expansion Pillow Block Part Numbers are specified by "FB950NE" and bore size: Example, **FB950NEx 2 7/16"**.

Expansion Pillow Block Part Numbers are specified by "FB950E" and bore size: Example, **FB950Ex 2 7/16"**.

Bearings with Eccentric Locking Collars are not recommended for reversing applications.

See page 152 for trademark acknowledgments.

REV 2



C950

Lock: Eccentric
Seal: CENTRAP® Labyrinth
Temperatures: -20°F to 200°F
Self Aligning: ±1 1/2°
Fitting: 1/8" NPT
Bearing Insert: Tapered Roller

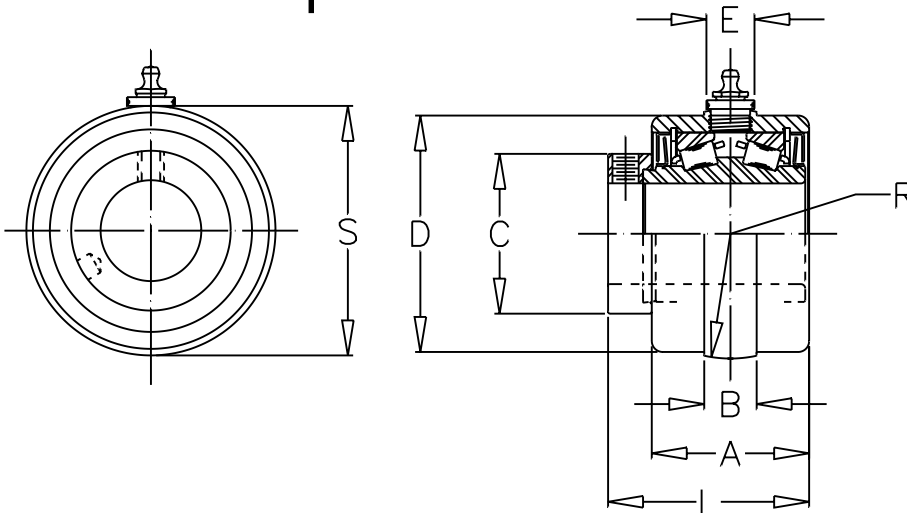
Load Rating Tables: Page 117
Interchange Tables: Page 162

C CARTRIDGE

9 950

5 ECCENTRIC LOCK

0 TAPERED ROLLER BEARING



SHAFT DIA. IN.	Dimensions In Inches								UNIT WT.
	A	B	C	D	E	L	R	S	
1 7/16 1 1/2	2 1/4	3/4	2 3/16	3 3/8	11/16	2 7/8	1 25/32	3 9/16	4.2
1 5/8 1 11/16 1 3/4	2 3/8	3/4	2 1/2	3 5/8	11/16	2 15/16	1 29/32	3 13/16	4.8
1 7/8 1 15/16 2 2 1/8	2 7/16	1	3	4 13/32	11/16	3 5/32	2 5/16	4 5/8	7.5
2 3/16	2 1/2	1	3 3/8	4 27/32	11/16	3 7/32	2 17/32	5 1/16	19.4
2 1/4 2 7/16 2 1/2	2 9/16	1	3 3/8	5 3/32	11/16	3 21/64	2 21/32	5 5/16	10.8
2 11/16 2 3/4 2 15/16	2 5/8	1 1/4	3 7/16	5 5/8	11/16	3 15/32	2 31/32	5 15/16	13.6
3 3 3/16	3 1/8	1 1/4	4 1/4	6 1/8	11/16	3 31/32	3 7/32	6 7/16	18.3
3 7/16 3 1/2	3 1/8	1 1/4	4 11/16	6 7/8	11/16	4 5/64	3 19/32	7 3/16	22.8
3 15/16 4	3 7/8	1 3/8	5 1/4	7 1/2	11/16	4 29/32	3 29/32	7 13/16	32.8
4 7/16 4 1/2	4 1/8	1 5/8	6 1/8	8 1/2	11/16	5 17/64	4 7/16	8 7/8	47.0
4 15/16 5	4 1/4	1 3/4	6 5/8	9	11/16	5 15/32	4 11/16	9 3/8	51.0

Replacement Cartridge Part Numbers are specified by "C950" and bore size: Example, **C950x 2 7/16"**.

REV 1

Browning C950 Replacement Cartridges Fit both Expansion and Non-Expansion Pillow Blocks and Flange Blocks.

Bearings with Eccentric Locking Collars are not recommended for reversing applications.



Tapered Roller Bearings

Tapered Roller Bearing 900 and 950 Series

This chart displays the Browning 900 and 950 Series Tapered Roller Bearing's load capacity for a given L10 life, speed and shaft size. Values in the table represent loads at ideal conditions. The shaded areas indicate the maximum speed for the 950 series only. Select 950 Series where aligning capability is required. For combined load determination, see **THE BEARING SELECTION SECTION**, page 264. Areas designated by "-" exceed maximum speed value.

Match Bore Size

SIZE	"K" FACTOR	2 ROW RATING	1 ROW RATING	THRUST RATING*	L10 HOURS	REVOLUTIONS PER MINUTE													
						50	100	150	250	500	750	1000	1500	1750	2000	2500	3000	3500	
1	1.42	3700	2130	1500	5000	4179	4179	4179	3908	3174	2811	2578	2283	2180	2094	1959	1854	1771	
					10000	4179	4179	3700	3174	2578	2283	2094	1854	1771	1701	1591	1506	1438	
					30000	3700	3005	2611	2283	1854	1642	1506	1334	1273	1223	1144	1083	1034	
					50000	3174	2578	2283	1959	1591	1409	1292	1144	1093	1050	982	929	887	
					100000	2578	2094	1854	1591	1292	1144	1050	929	887	853	797	755	721	
1 3/16 1 1/4 1 3/8	1.53	5130	2950	1930	5000	5794	5794	5794	5418	4401	3897	3575	3165	3022	2904	2716	2571	2455	
					10000	5794	5794	5130	4401	3575	3165	2904	2571	2455	2358	2206	2088	1944	
					30000	5130	4167	3690	3165	2571	2277	2088	1849	1766	1696	1586	1502	1434	
					50000	4401	3575	3165	2716	2206	1953	1792	1586	1515	1455	1361	1289	1230	
					100000	3575	2904	2571	2206	1792	1586	1455	1289	1230	1182	1106	1047	999	
1 7/16 1 1/2	1.46	5930	3410	2330	5000	6697	6697	6697	6263	5087	4505	4132	3659	3494	3356	3139	2972		
					10000	6697	6697	5930	5087	4132	3659	3356	2972	2838	2726	2550	2414		
					30000	5930	4817	4265	3659	2972	2632	2414	2138	2041	1961	1834	1736		
					50000	5087	4132	3659	3139	2550	2258	2071	1834	1751	1682	1573	1490		
					100000	4132	3356	2972	2550	2071	1834	1682	1490	1422	1366	1278	1210		
1 5/8 1 11/16 1 3/4	1.37	6050	3470	2540	5000	6833	6833	6833	6390	5190	4596	4216	3733	3564	3424	3203			
					10000	6833	6833	6050	5190	4216	3733	3424	3032	2895	2781	2601			
					30000	6050	4914	4351	3733	3032	2685	2463	2181	2082	2000	1871			
					50000	5190	4216	3733	3203	2601	2303	2113	1871	1786	1716	1605			
					100000	4216	3424	3032	2601	2113	1871	1716	1520	1451	1394	1304			
1 7/8 1 15/16 2 2 1/8	1.65	8550	4910	2980	5000	9656	9656	8656	9031	7335	6495	5958	5276	5037	4839				
					10000	9656	9656	8550	7335	5958	5276	4839	4285	4091	3931				
					30000	8550	6945	6149	5276	4285	3794	3481	3082	2943	2827				
					50000	7335	5958	5276	4526	3676	3255	2986	2644	2525	2425				
					100000	5958	4839	4285	3676	2986	2644	2425	2148	2051	1970				
2 3/16	1.51	9090	5220	3470	5000	10266	10266	10266	9601	7798	6905	6334	5609	5355	5145				
					10000	10266	10266	9090	7798	6334	5609	5145	4556	4350	4179				
					30000	9090	7383	6538	5609	4556	4034	3700	3277	3129	3006				
					50000	7798	6334	5609	4812	3908	3461	3175	2811	2684	2579				
					100000	6334	5145	4556	3908	3175	2811	2579	2283	2180	2095				
2 1/4 2 7/16 2 1/2	1.45	9290	5340	3670	5000	10492	10492	10492	9812	7970	7057	6474	5732	5473					
					10000	10492	10492	9290	7970	6474	5732	5258	4656	4446					
					30000	9290	7546	6682	5732	4656	4123	3782	3349	3197					
					50000	7970	6474	5732	4918	3994	3537	3245	2873	2743					
					100000	6474	5258	4656	3994	3245	2873	2635	2334	2228					
2 11/16 2 3/4 2 15/16	1.30	9600	5510	4260	5000	10842	10842	10842	10140	8236	7293	6690	5924						
					10000	10842	10842	9600	8236	6690	5924	5434	4811						
					30000	9600	7798	6905	5924	4811	4260	3908	3460						
					50000	8236	6690	5924	5082	4128	3655	3353	2969						
					100000	6690	5434	4811	4128	3353	2969	2723	2411						
3 3 3/16	1.31	14500	8330	6340	5000	16376	16376	16376	15315	12440	11015	10104							
					10000	16376	16378	14500	12440	10104	8947	8207							
					30000	14500	11778	10429	8947	7267	6435	5903							
					50000	12440	10104	8947	7676	6235	5521	5064							
					100000	10104	8207	7267	6235	5064	4484	4113							
3 7/16 3 1/2	1.19	15300	8790	7410	5000	17279	17279	17279	16160	13126	11623	10662							
					10000	17279	17279	15300	13126	10662	9441	8660							
					30000	15300	12427	11004	9441	7668	6790	6228							
					50000	13126	10104	9441	8099	6579	5825	5344							
					100000	10662	8207	7668	6579	5344	4732	4340							
3 15/16 4	1.45	18400	10600	7270	5000	20780	20780	20780	19434	15786	13978	12822							
					10000	20780	20780	18400	15786	12822	11353	10415							
					30000	18400	14945	13234	11353	9222	8166	7490							
					50000	15786	12822	11353	9740	7912	7005	6426							
					100000	12822	10415	9222	7912	6426	5690	5220							
4 7/16 4 1/2	1.91	25200	14500	7550	5000	28460	28460	28460	26617	21620	19143	17561							
					10000	28460	28460	25200	21620	17561	15549	14264							
					30000	25200	20469	18124	15549	12630	11183	10259							
					50000	21620	17561	15549	13340	10835	9594	8801							
					100000	17561	14264	12630	10835	8801	7793	7149							
4 15/16 5	1.82	26600	15300	8390	5000	30041	30041	30041	28095	22821	20207								
					10000	30041	30041	26600	22821	18536	16413								
					30000	26600	21606	19131	16413	13332	11805								
					50000	22821	18536	16413	14081	11437	10127								
					100000	18536	15056	13332	11437	9290	8226								

Tapered Roller Bearings

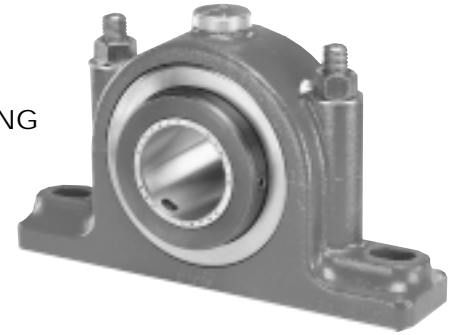
PB970

Lock: Set Screw
Seal: Contact
Housing: Ductile Iron
Temperatures: - 20° to 200°F
Self Aligning: ±1 1/2°
Fitting: 1/8" NPT
Bolt Holes: Elongated
Bearing Insert: Tapered Roller
 (C970 Cartridge Insert)

P PILLOW
 B BLOCK

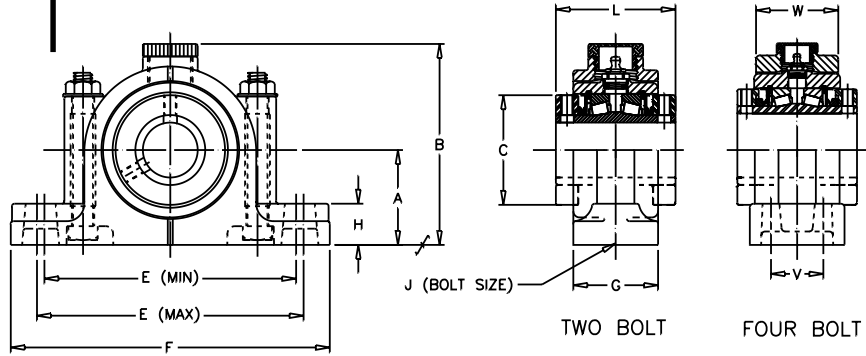
 9 970
 7 SET SCREW LOCK
 0 TAPERED ROLLER BEARING

Dimensional Interchange with (DI) Units



Load Rating Tables: Page 121
Interchange Tables: Page 162

Expansion and Non-Expansion



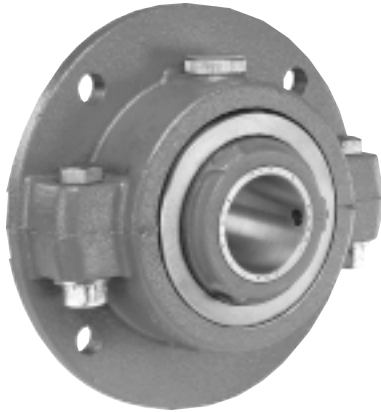
SHAFT DIA. IN.	Dimensions In Inches												UNIT WT.
	A	B	C	E		F	G	H	J	L	V	W	
	TWO BOLT BASE												
1 3/8	2 3/8	5 1/32	2 3/4	6 5/16	6 11/16	8	2 1/8	1 1/32	1/2	3	-	-	11.0
1 7/16	2 3/8	5 1/32	2 3/4	6 5/16	6 11/16	8	2 1/8	1 1/32	1/2	3	-	-	11.0
1 1/2	2 5/8	5 13/32	3 3/16	7 1/16	7 11/16	9	2 1/4	1 5/32	1/2	3 7/16	-	-	13.5
1 11/16	2 5/8	5 13/32	3 3/16	7 1/16	7 11/16	9	2 1/4	1 5/32	1/2	3 7/16	-	-	13.5
1 3/4	2 7/8	6 1/16	3 7/16	7 7/8	8 1/2	10	2 3/8	1 9/32	5/8	3 1/2	-	-	18.4
1 15/16	2 7/8	6 1/16	3 7/16	7 7/8	8 1/2	10	2 3/8	1 9/32	5/8	3 1/2	-	-	18.4
2	3	6 13/32	3 3/4	8 1/2	9 1/4	10 7/8	2 1/2	1 9/32	5/8	3 3/4	-	-	21.7
2 3/16	3	6 13/32	3 3/4	8 1/2	9 1/4	10 7/8	2 1/2	1 9/32	5/8	3 3/4	-	-	21.7
2 1/4	3 1/4	6 25/32	4 1/16	9 1/16	10 5/16	12	2 1/2	1 13/32	5/8	4	-	-	25.3
2 7/16	3 1/4	6 25/32	4 1/16	9 1/16	10 5/16	12	2 1/2	1 13/32	5/8	4	-	-	25.3
2 1/2	3 1/4	6 25/32	4 1/16	9 1/16	10 5/16	12	2 1/2	1 13/32	5/8	4	-	-	25.3
2 11/16	3 3/4	7 21/32	4 23/32	10 3/16	11 9/16	13 3/8	2 5/8	1 13/32	3/4	4 33/64	-	-	32.5
2 15/16	3 3/4	7 21/32	4 23/32	10 3/16	11 9/16	13 3/8	2 5/8	1 13/32	3/4	4 33/64	-	-	32.5
3	4 1/2	9 5/32	5 7/16	12 1/2	13 7/8	16	3 1/8	1 29/32	7/8	5 1/64	-	-	57.0
3 3/16	4 1/2	9 5/32	5 7/16	12 1/2	13 7/8	16	3 1/8	1 29/32	7/8	5 1/64	-	-	57.0
3 7/16	4 1/2	9 5/32	5 7/16	12 1/2	13 7/8	16	3 1/8	1 29/32	7/8	5 1/64	-	-	57.0
3 1/2	4 1/2	9 5/32	5 7/16	12 1/2	13 7/8	16	3 1/8	1 29/32	7/8	5 1/64	-	-	57.0
	FOUR BOLT BASE												
2 1/4	3 1/4	6 13/16	4 1/16	9 1/16	10 5/16	12	3 3/8	1 15/32	1/2	4	1 3/4	2 3/4	30.0
2 7/16	3 1/4	6 13/16	4 1/16	9 1/16	10 5/16	12	3 3/8	1 15/32	1/2	4	1 3/4	2 3/4	30.0
2 1/2	3 1/4	6 13/16	4 1/16	9 1/16	10 5/16	12	3 3/8	1 15/32	1/2	4	1 3/4	2 3/4	30.0
2 11/16	3 3/4	7 11/16	4 23/32	10 3/16	11 9/16	13 1/2	3 3/4	1 31/32	5/8	4 33/64	1 7/8	3 1/8	38.0
2 15/16	3 3/4	7 11/16	4 23/32	10 3/16	11 9/16	13 1/2	3 3/4	1 31/32	5/8	4 33/64	1 7/8	3 1/8	38.0
3	4 1/2	9 3/16	5 7/16	12 1/2	13 7/8	16	4	2 7/32	3/4	5 1/64	2	3 1/2	60.0
3 3/16	4 1/2	9 3/16	5 7/16	12 1/2	13 7/8	16	4	2 7/32	3/4	5 1/64	2	3 1/2	60.0
3 7/16	4 1/2	9 3/16	5 7/16	12 1/2	13 7/8	16	4	2 7/32	3/4	5 1/64	2	3 1/2	60.0
3 1/2	4 1/2	9 3/16	5 7/16	12 1/2	13 7/8	16	4	2 7/32	3/4	5 1/64	2	3 1/2	60.0
3 15/16	5	10 1/32	5 15/16	13 3/16	14 13/16	16 3/4	4 1/8	2 1/32	3/4	6 1/4	2	3 7/8	84.0
4	5	10 1/32	5 15/16	13 3/16	14 13/16	16 3/4	4 1/8	2 1/32	3/4	6 1/4	2	3 7/8	84.0
4 7/16	5 3/4	11 13/32	6 13/32	14 7/16	16 5/16	18 1/4	4 3/8	2 1/4	3/4	6 3/4	2 1/4	4 1/8	110.0
4 1/2	5 3/4	11 13/32	6 13/32	14 7/16	16 5/16	18 1/4	4 3/8	2 1/4	3/4	6 3/4	2 1/4	4 1/8	110.0
4 15/16	6 1/4	12 3/4	7 13/32	16 1/8	18 1/8	20 3/8	4 7/8	2 1/2	7/8	7 1/4	2 1/2	4 1/4	141.0
5	6 1/4	12 3/4	7 13/32	16 1/8	18 1/8	20 3/8	4 7/8	2 1/2	7/8	7 1/4	2 1/2	4 1/4	141.0

Non-Expansion Pillow Block Part Numbers are specified by "PB970NE" and bore size: Example, **PB970NE x 2 7/16"**. Add "F" for Four Bolt Base: Example, **PB970FNE x 2 7/16"**. Expansion Pillow Block Part Numbers are specified by "PB970E" and bore size: Example, **PB970E x 2 7/16"**. Add "F" for Four Bolt Base: Example, **PB970FE x 2 7/16"**

REV 0

Tapered Roller Bearings

FB970



FLANGE F
BLOCK B

970 9

SET SCREW LOCK 7

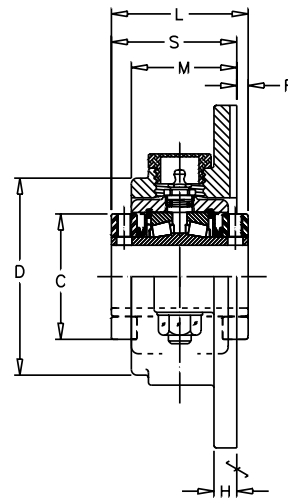
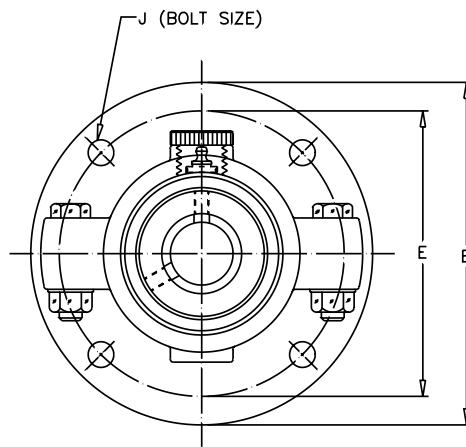
TAPERED ROLLER BEARING 0

Dimensional Interchange
with (DI) Units

Lock: Set Screw
Seal: Contact
Housing: Ductile Iron
Temperatures: - 20°F to 200°F
Self Aligning: ±1 1/2°
Fitting: 1/8" NPT
Bearing Insert: Tapered Roller
(C970 Cartridge Insert)

Load Rating Tables: Page 121
Interchange Tables: Page 162

Expansion and Non-Expansion



SHAFT DIA. IN.	Dimensions In Inches										UNIT WT.
	B	C	D	E	H	J	L	M	R	S	
1 3/8	7 1/2	2 3/4	4 5/16	6 1/4	1/2	1/2	3	2 5/16	1/4	2 3/4	14.1
1 7/16											
1 1/2	8	3 3/16	4 5/8	6 3/4	1/2	1/2	3 7/16	2 7/16	25/64	3 1/32	17.0
1 11/16											
1 3/4											
1 15/16	8 7/8	3 7/16	5 1/2	7 1/2	9/16	5/8	3 1/2	2 9/16	3/8	3 1/8	22.2
2											
2 3/16	9 3/8	3 3/4	6	8	9/16	5/8	3 3/4	2 11/16	17/32	3 7/32	26.9
2 1/4											
2 7/16	9 7/8	4 1/16	6 5/16	8 1/2	5/8	5/8	4	2 3/4	31/64	3 1/2	31.4
2 1/2											
2 11/16											
2 15/16	11 1/4	4 23/32	7 1/8	9 3/4	11/16	3/4	4 33/64	2 15/16	5/8	3 7/8	40.6
3											
3 3/16											
3 7/16	13 1/4	5 7/16	8 5/8	11 1/2	3/4	7/8	5 1/64	3 7/16	5/8	4 3/8	65.3
3 1/2											
3 15/16											
4	15 1/4	5 15/16	9 3/8	13	13/16	1	6 1/4	4 1/4	13/16	5 7/16	104.2
4 7/16											
4 1/2	17	6 13/32	10 5/8	15	1	1	6 3/4	4 1/2	15/16	5 53/64	142.9
4 15/16											
5	18 1/8	7 13/32	11 3/8	16	1 1/8	1 1/8	7 1/4	4 5/8	1 1/8	6 1/8	166.7

Non-Expansion Pillow Block Part Numbers are specified by "FB970NE" and bore size: Example, **FB970NEx 2 7/16"**.

REV 2

Expansion Pillow Block Part Numbers are specified by "FB970E" and bore size: Example, **FB970Ex 2 7/16"**.

See page 152 for trademark acknowledgments.



970

Browning®

Tapered Roller Bearings

C970

Lock: Set Screw
Seal: Contact
Temperatures: - 20° to 200°F
Self Aligning: ±1 1/2°
Fitting: 1/8" NPT
Bearing Insert: Tapered Roller

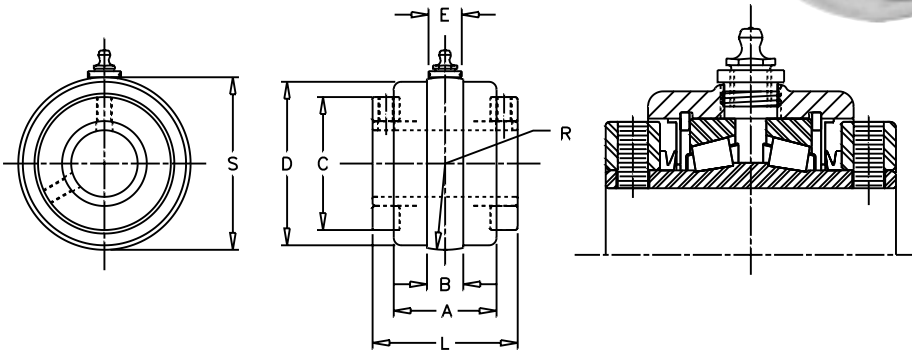
Load Rating Tables: Page 121
Interchange Tables: Page 162

C CARTRIDGE

9 970

7 SET SCREW LOCK

0 TAPERED ROLLER BEARING



SHAFT DIA. IN.	Dimensions In Inches								UNIT WT.
	A	B	C	D	E	L	R	S	
1 3/8 1 7/16	2 1/8	3/4	2 3/4	3 3/8	11/16	3	1 25/32	3 9/16	5.0
1 1/2 1 11/16	2 3/8	3/4	3 3/16	3 5/8	11/16	3 7/16	1 29/32	3 13/16	5.7
1 3/4 1 15/16 2	2 1/2	1	3 7/16	4 13/32	11/16	3 1/2	2 5/16	4 5/8	8.9
2 3/16	2 5/8	1	3 3/4	4 27/32	11/16	3 3/4	2 17/32	5 1/16	11.3
2 1/4 2 7/16 2 1/2	2 7/8	1	4 1/16	5 3/32	11/16	4	2 21/32	5 5/16	12.3
2 11/16 2 15/16 3	3	1 1/4	4 23/32	5 5/8	11/16	4 33/64	2 31/32	5 15/16	14.9
3 3/16 3 7/16 3 1/2	3 5/8	1 1/4	5 7/16	6 7/8	11/16	5 1/64	3 19/32	7 3/16	27.1
3 15/16 4	4 1/2	1 3/8	5 15/16	7 1/2	11/16	6 1/4	3 29/32	7 13/16	39.0
4 7/16 4 1/2	4 5/8	1 5/8	6 13/32	8 1/2	11/16	6 3/4	4 7/16	8 7/8	55.9
4 15/16 5	5 1/8	1 3/4	7 13/32	9 11/16	11/16	7 1/4	5 3/32	10 3/16	60.7

Replacement Cartridge Part Numbers are specified by "C970" and bore size: Example, **C970x 2 7/16"**.

REV 1

Browning C970 Replacement Cartridges Fit both Expansion and Non-Expansion Pillow Blocks and Flange Blocks.



Tapered Roller Bearings

Tapered Roller Bearing 920 and 970 Series

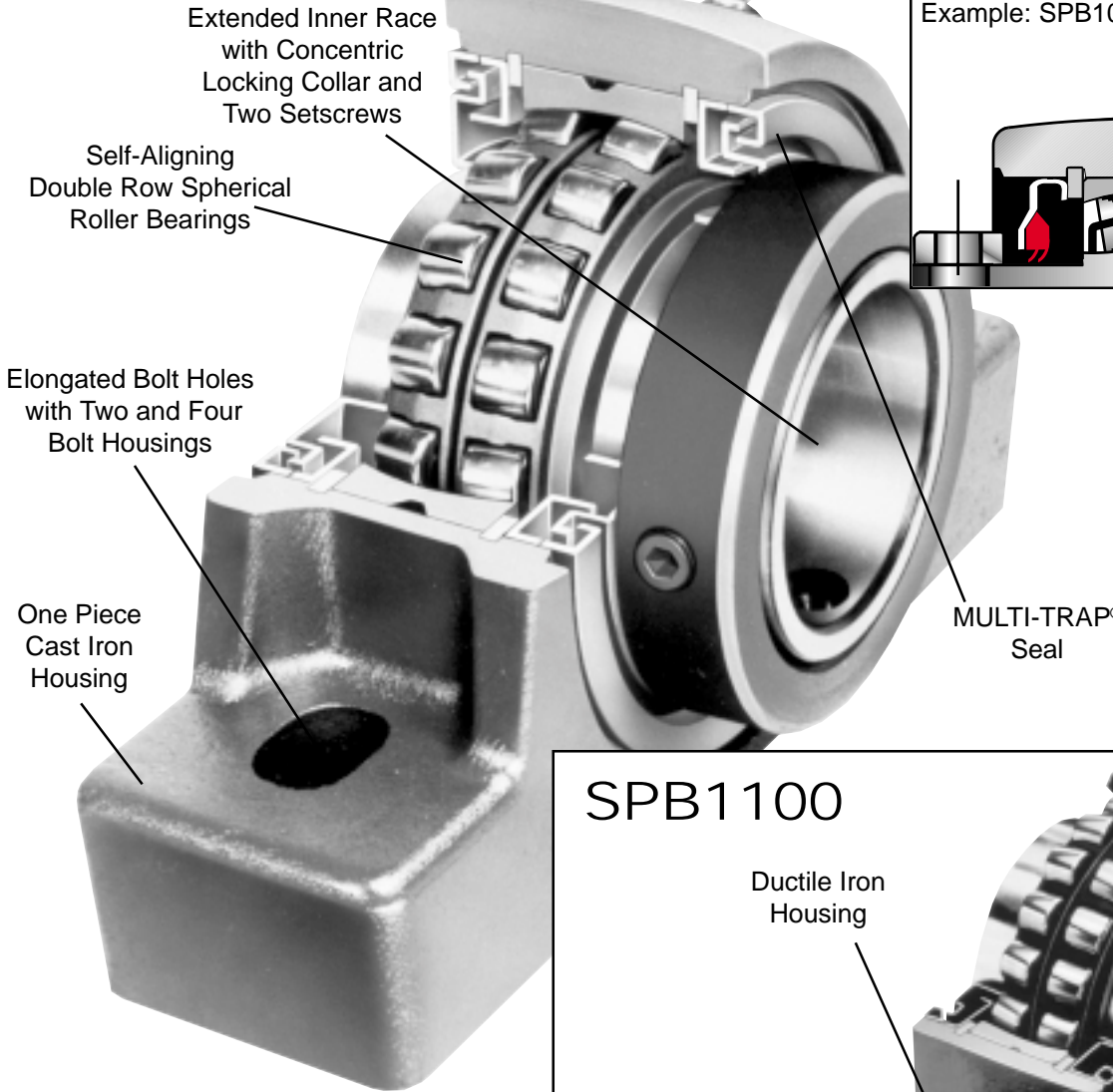
This chart displays the Browning 920 and 970 Series Tapered Roller Bearing's load capacity for a given L10 life, speed and shaft size. Values in the table represent loads at ideal conditions. The shaded areas indicate the maximum speed for the 970 series only. For combined load determination, see **THE BEARING SELECTION SECTION**, page 264. Areas designated by "-" exceed maximum speed value.

Match Bore Size

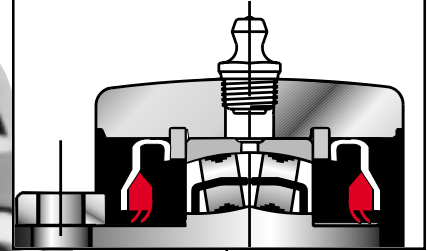
SIZE	"K" FACTOR	2 ROW RATING	1 ROW RATING	THRUST RATING*	HOURS	REVOLUTIONS PER MINUTE														
						50	100	150	250	500	750	1000	1500	1750	2000	2500	3000	3500	4000	
1 3/16 1 1/4	1.23	2975	1710	1390	5000	3360	3360	3360	3142	2552	2260	2073	1836	1753	1684	1575	1491	1424	1368	
					10000	3360	3360	2975	2552	2073	1836	1684	1491	1424	1368	1279	1211	1156	1111	
					30000	2975	2416	2140	1836	1491	1320	1211	1072	1024	984	920	871	832	799	
					50000	2552	2073	1836	1575	1279	1133	1039	920	878	844	789	747	714	685	
					100000	2073	1684	1491	1279	1039	920	844	747	714	685	641	607	580	556	
1 3/8 1 7/16	1.31	4760	2740	2080	5000	5376	5376	5376	5028	4084	3616	3317	2937	2804	2694	2520	2386	2278		
					10000	5376	5376	4760	4084	3317	2937	2694	2386	2278	2188	2047	1938	1850		
					30000	4760	3866	3424	2937	2386	2112	1938	1716	1638	1574	1472	1394	1331		
					50000	4084	3317	2937	2520	2047	1812	1662	1472	1406	1350	1263	1196	1142		
					100000	3317	26741	2386	2047	1662	1472	1350	1196	1142	1097	1026	971	927		
1 1/2 1 11/16	1.36	6140	3530	2600	5000	6934	6934	6934	6485	5268	4664	4279	3789	3617	3475	3250	3077			
					10000	6934	6934	6140	5268	4279	3789	3475	3077	2938	2823	2640	2500			
					30000	6140	4987	4416	3789	3077	2725	2500	2213	2113	2030	1899	1798			
					50000	5268	4279	3789	3250	2640	2338	2144	1899	1813	1742	1629	1542			
					100000	4279	3475	3077	2640	2144	1899	1742	1542	1473	1415	1323	1253			
1 3/4 1 15/16 2	1.83	8070	4640	2540	5000	9114	9114	9114	8524	6923	6130	5624	4979	4754	4568	4272				
					10000	9114	9114	8070	6923	5624	4979	4568	4045	3862	3710	3470				
					30000	8070	6555	5804	4979	4045	3581	3285	2909	2777	2668	2496				
					50000	6923	5624	4979	4272	3470	3072	2818	2496	2383	2289	2141				
					100000	5624	4568	4045	3470	2818	2496	2289	2027	1935	1859	1739				
2 3/16	1.65	8570	4910	2980	5000	9679	9679	9679	9052	7352	6510	5972	5288	5049	4851	4537				
					10000	9679	9679	8570	7352	5972	5288	4851	4295	4101	3940	3685				
					30000	8570	6961	6164	5288	4295	3803	3489	3089	2950	2834	2650				
					50000	7352	5972	5288	4537	3685	3263	2993	2650	2530	2431	2274				
					100000	5972	4851	4295	3685	2993	2650	2431	2153	2055	1975	1847				
2 1/4 2 7/16 2 1/2	1.51	9030	5220	3470	5000	10198	10198	10198	9538	7747	6860	6293	5572	5320	5111					
					10000	10198	10198	9030	7747	6293	5572	5111	4526	4321	4152					
					30000	9030	7335	6495	5572	4526	4007	3676	3255	3108	2986					
					50000	7747	6293	5572	4780	3883	3438	3154	2793	2666	2562					
					100000	6293	5111	4526	3883	3154	2793	2562	2268	2166	2081					
2 11/16 2 15/16 3	1.30	9630	5510	4260	5000	10876	10876	10876	10171	8262	7316	6711	5942	5674						
					10000	10876	10876	9630	8262	6711	5942	5451	4826	4608						
					30000	9630	7822	6926	5942	4826	4274	3920	3471	3314						
					50000	8262	6711	5942	5098	4141	3666	3363	2978	2843						
					100000	6711	5451	4826	4141	3363	2978	2732	2419	2310						
3 3/16 3 7/16 3 1/2	1.19	15320	8790	7410	5000	17302	17302	17302	16181	13143	11638	10676	9453							
					10000	17302	17302	15320	13143	10676	9453	8671	7678							
					30000	15320	12444	11018	9453	7678	6799	6273	5522							
					50000	13143	10676	9453	8110	6587	5833	5351	4738							
					100000	10676	8671	7678	6587	5351	4738	4346	3848							
3 15/16 4	1.23	20980	12100	9800	5000	23694	23694	23694	22159	17999	15938	14620	12945							
					10000	23694	23694	20980	17999	14620	12945	11875	10515							
					30000	20980	17041	15089	12945	10515	9311	8411	7563							
					50000	17999	14620	12945	11106	9021	7988	7327	6488							
					100000	14620	11875	10515	9021	7327	6488	5952	5270							
4 7/16 4 1/2	1.13	25750	14800	13100	5000	29081	29081	29081	27198	22091	19561	17944								
					10000	29081	29081	25750	22091	17944	15889	14575								
					30000	25750	20915	18520	15889	12906	11427	10483								
					50000	22091	17944	15889	13631	11072	9804	8993								
					100000	17944	14575	12906	11072	8993	7963	7305								
4 15/16 5	1.27	35520	20400	16000	5000	40114	40114	40114	37517	30473	26983	24752								
					10000	40114	40114	35520	30473	24752	21917	20105								
					30000	35520	28851	25547	21917	17802	15763	14460								
					50000	30473	24752	21917	18803	15273	13524	12405								
					100000	24752	20105	17802	15273	12405	10985	10076								

Spherical Roller Bearings

SPB1000

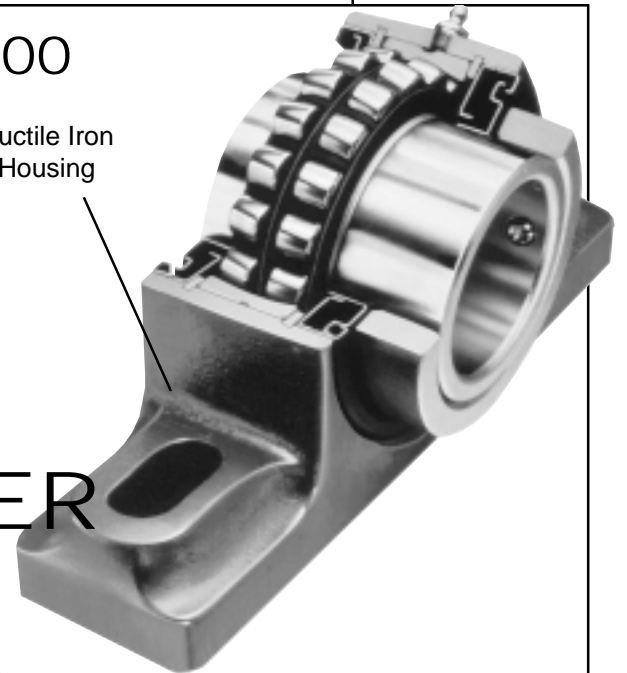


Contact Seal for 1000 & 1100 Series To Specify Add C Example: SPB1000NECx2 7/16"



SPB1100

Ductile Iron Housing

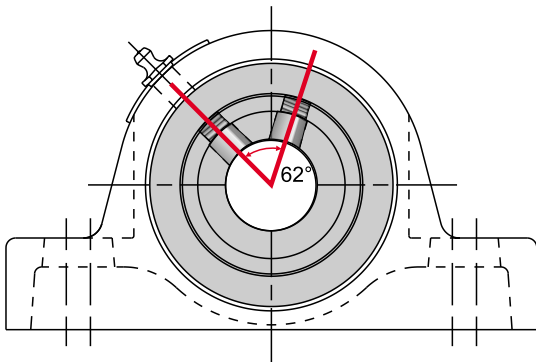


Note: Other features are like the 1000 Series

**BROWNING
SPHERICAL ROLLER
BEARINGS
1000/1100 SERIES
FEATURES/BENEFITS**

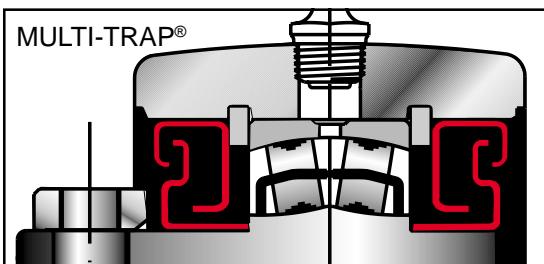
LOCKING

1000/1100 LOCKING - A concentric locking collar with two setscrews anchor the bearing to the inner race. The elastic deflection of the collar serves to retain the bearing on the shaft. Set screws are located at 62° for improved holding power and resistance to back out especially in applications with heavy vibration or uni-directional loads. Browning lock collars are chemically processed through an alkaline solution which primes the surface of the steel for corrosion resistance.



SEALS

1000/1100 SEALING - The Browning MULTI-TRAP® seal offers additional protection against contaminant entry and provides for grease retention. The labyrinth seal is constructed of three components with a rotating flinger to help direct contamination away from the sealing surfaces during operational or dynamic misalignment. These self-aligning non-contact seals reduce drag and saves energy and normally cannot be blown by over greasing. Black oxide offers additional protection against corrosion. Browning also offers a double lip contact seal with integral metal shield for protection from contaminants. It has good grease retention characteristics in operating temperatures up to 200° F. Contact seals are standard on the 4 7/16" - 4 15/16" 1000 series pillow blocks and optional on all other 1000 and 1100 series.



See page 152 for trademark acknowledgments.

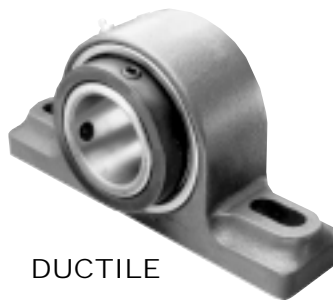
BROWNING SPHERICAL ROLLER BEARINGS 1000/1100 SERIES FEATURES/BENEFITS

HOUSINGS



CAST IRON

1000 HOUSING - Browning compact solid one piece cast iron housings provide strength and load support in a wide variety of applications.



DUCTILE

1100 HOUSING - 1100 Series ductile iron housings are approximately twice as strong as cast iron. This is an important feature in applications such as sawmills where heavy loads and shock conditions are normally experienced.

TABLE OF CONTENTS

SPB1000 Pillow Blocks	124
SFB1000 Flange Blocks	126
SFC1000 Flange Cartridges	130
STU1000 Take Ups	128
T1000 Take Up Frames	129
1000 Ratings	135
1000 Series Interchange Tables .	162
SPB1100 Pillow Blocks	132
SFB1100 Flange Blocks	133
SFC1100 Flange Units	134
1100 Ratings	135
1100 Interchange Tables	162



1000

Browning

Spherical Roller Bearings

SPB1000

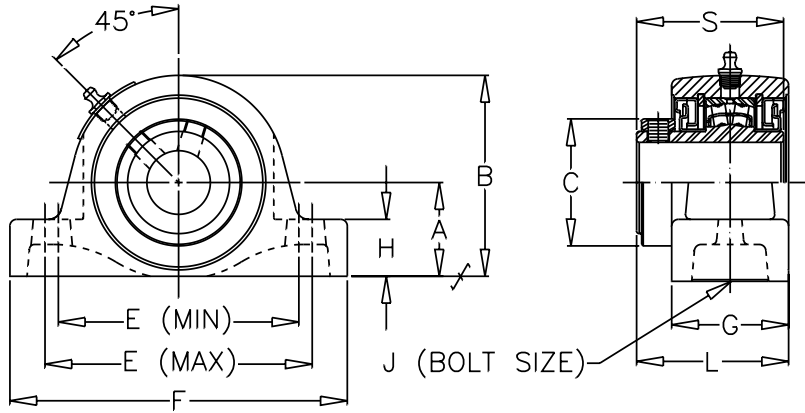
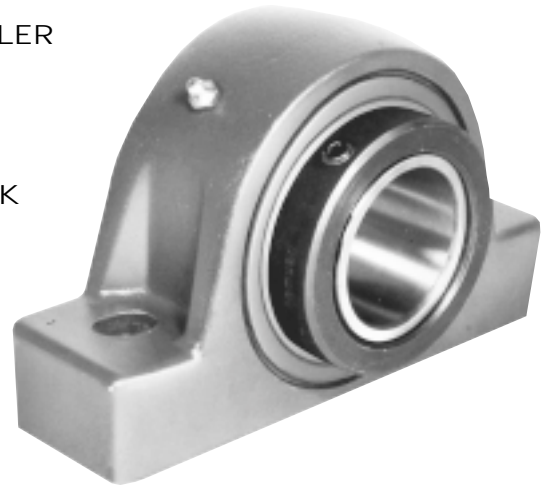
Lock: Set Screw
Seal: MULTI-TRAP® Labyrinth
Housing: Cast Iron
Temperatures: -20°F to 200°F
Optional Seal: Double Lip Contact
Self Aligning: ±1 1/2°
Fitting: 1/8" NPT

S SPHERICAL ROLLER
P PILLOW
B BLOCK

1 1000 SERIES
0 SET SCREW LOCK
0 CAST IRON
0 BEARING

Load Rating Tables: Page 135
Interchange Tables: Page 162

Expansion and Non-Expansion



SHAFT DIA. IN.	Dimensions in Inches											UNIT WT.
	A	B	C	E		F	G	H	J	L*	S	
				MIN	MAX							
1 1/8												
1 3/16	1 3/4	3 3/4	2 15/32	4 1/2	5	6 5/16	2 3/16	1 1/16	3/8	2 27/32	2 3/4	6.5
1 1/4												
1 7/16	1 7/8	3 7/8	2 15/32	4 11/16	5 5/16	6 7/8	2 3/16	1 3/16	1/2	2 27/32	2 3/4	6.9
1 1/2												
1 11/16	2 1/8	4 1/4	2 23/32	5 3/16	5 13/16	7 3/8	2 3/16	1 5/16	1/2	2 31/32	2 7/8	8.1
1 3/4												
1 15/16	2 1/4	4 9/16	2 29/32	5 15/16	6 9/16	8 3/8	2 3/16	1 3/8	5/8	2 31/32	2 7/8	9.1
2												
2 3/16	2 1/2	5	3 1/4	6 9/16	7 1/16	8 7/8	2 7/16	1 5/8	5/8	3 7/32	3 1/8	11.8
2 7/16												
2 1/2	2 3/4	5 11/16	4	6 13/16	7 7/16	9 1/4	2 11/16	1 3/4	5/8	3 15/32	3 3/8	16.2
2 11/16												
2 3/4	3 1/4	6 7/16	4 3/8	7 13/16	8 7/16	10 7/16	2 13/16	2 1/4	3/4	3 25/32	3 5/8	22.1
2 15/16												
3												
3 3/16	3 3/4	7 1/2	5 1/8	9 1/4	10 3/4	13	3 3/16	2 1/4	7/8	4 3/16	4 1/32	31.6
3 7/16												
3 1/2												
3 11/16	4 1/8	8 7/16	6	10	11 3/4	14 1/4	3 9/16	2 1/2	1	4 3/4	4 19/32	44.6
3 15/16												
4												

*These dimensions are for Non-Expansion units. For expansion type, adjust ±.050."

REV 1

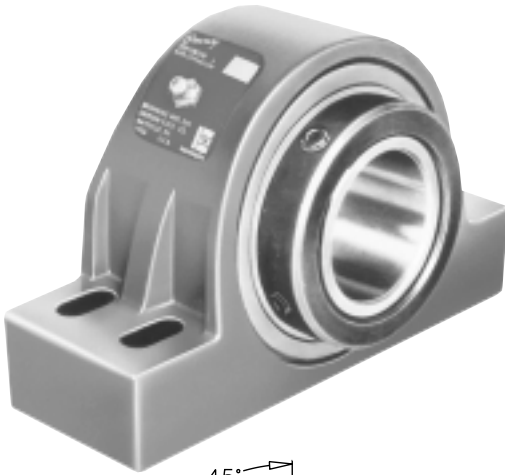
Non-Expansion Pillow Block Part Numbers are specified by "SPB1000NE" and bore size: Example, **SPB1000NEx 2 7/16"**. For Contact Seals Add "C" to prefix: Example, **SPB1000NECx 2 7/16"**.

Expansion Pillow Block Part Numbers are specified by "SPB1000E" and bore size: Example, **SPB1000Ex 2 7/16"**. For Contact Seals Add "C" to prefix: Example, **SPB1000ECx 2 7/16"**.

Self-aligning with contacts seals ± 1 1/4°.

Spherical Roller Bearings

SPB1000F



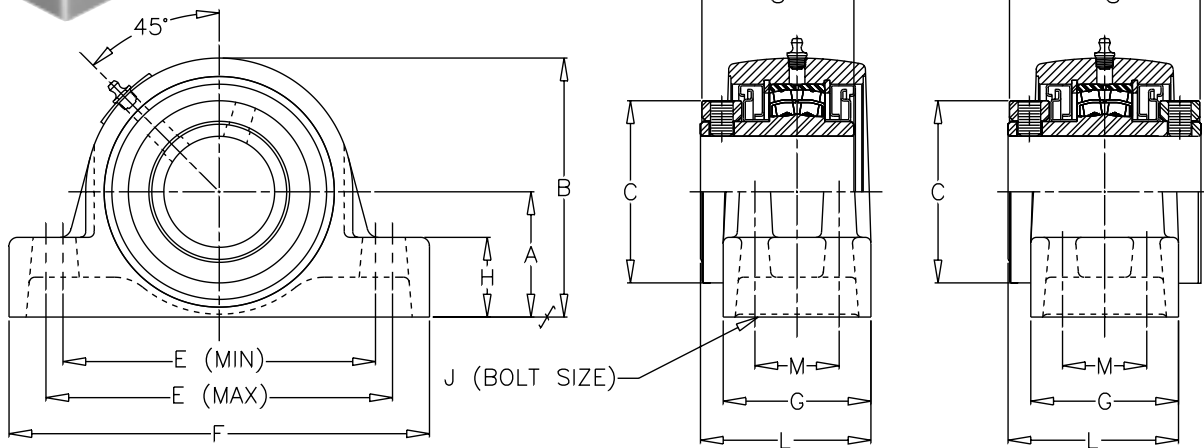
- SPHERICAL ROLLER S
- PILLOW P
- BLOCK B

- 1000 SERIES 1
- SET SCREW LOCK 0
- CAST IRON 0
- BEARING 0
- FOUR BOLT BASE F

- Lock:** Set Screw
- Seal:** MULTI-TRAP® Labyrinth
- Housing:** Cast Iron
- Temperatures:** -20°F to 200°F
- Optional Seal:** Double Lip Contact
- Self Aligning:** ±1 1/2°
- Fitting:** 1/8" NPT

Load Rating Tables: Page 135
Interchange Tables: Page 162

Expansion and Non-Expansion



"DOUBLE COLLAR"

SHAFT DIA. IN.	Dimensions in Inches												UNIT WT.
	A	B	C	E		F	G	H	J	L*	M	S	
				MIN	MAX								
2 7/16													
2 1/2	2 3/4	5 11/16	4	6 7/8	7 5/8	9 1/4	3 1/4	1 3/4	1/2	3 3/4	1 3/4	3 3/8	16.5
2 11/16													
2 3/4													
2 15/16	3 1/4	6 7/16	4 3/8	7 7/8	8 3/8	10 7/16	3 3/4	2 1/4	5/8	4 1/4	1 7/8	3 5/8	26.0
3													
3 3/16													
3 7/16	3 3/4	7 1/2	5 1/8	9 1/4	10 3/4	13	3 7/8	2 1/4	3/4	4 17/32	2	4 1/32	37.5
3 1/2													
3 11/16													
3 15/16	4 1/4	8 9/16	6	11	13	15 1/4	4 1/2	2 5/8	3/4	5 7/32	2 1/4	4 19/32	50.0
4													
▲ 4 7/16	4 3/4	9 3/8	6 1/8	13 1/8	13 7/8	16 5/8	4 5/8	2 3/4	3/4	5 3/8	2 1/2	6 1/8	71.0
▲ 4 1/2													
▲ 4 15/16	5 1/2	10 7/8	6 7/8	15 1/8	15 7/8	18 1/2	5 1/8	3	7/8	5 7/8	2 3/4	6 5/8	100.0

*These dimensions are for Non-Expansion units. For expansion type, adjust ±.050."

REV 2

Non-Expansion Pillow Block Part Numbers are specified by "SPB1000FNE" and bore size: Example, **SPB1000FNEx 2 7/16"**. For Contact Seals Add "C" to prefix: Example, **SPB1000FNECx 2 7/16"**.

Expansion Pillow Block Part Numbers are specified by "SPB1000FE" and bore size: Example, **SPB1000FEx 2 7/16"**. For Contact Seals Add "C" to prefix: Example, **SPB1000FECx 2 7/16"**.

Self-aligning with contacts seals ± 1 1/4°.

▲ Available with contacts seals and double locking collars only.

See page 152 for trademark acknowledgments.



1000

Browning[®]

Spherical Roller Bearings

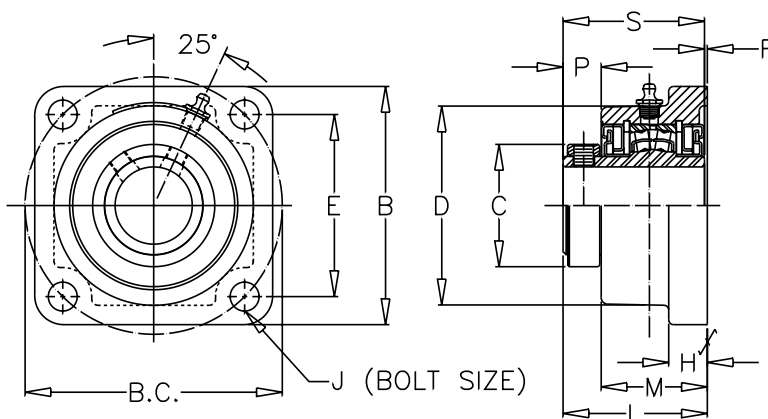
SFB1000

Lock: Set Screw
Seal: MULTI-TRAP[®] Labyrinth
Housing: Cast Iron
Temperatures: -20°F to 200°F
Optional Seal: Double Lip Contact
Self Aligning: ±1 1/2°
Fitting: 1/8" NPT

S SPHERICAL ROLLER
 F FLANGE
 B BLOCK
 1 1000 SERIES
 0 SET SCREW LOCK
 0 CAST IRON
 0 BEARING

Load Rating Tables: Page 135
Interchange Tables: Page 162

Expansion and Non-Expansion



SHAFT DIA. IN.	Dimensions In Inches												UNIT WT.
	B	BC	C	D	E	H	J	L*	M	P	R*	S	
1 7/16 1 1/2	4 5/8	5	2 15/32	3 7/8	3 35/64	3/4	1/2	2 13/16	2 1/16	3/4	1/16	2 3/4	6.8
1 11/16 1 3/4	5	5 1/2	2 23/32	4 1/2	3 57/64	3/4	1/2	3 3/64	2 1/4	3/4	11/64	2 7/8	9.8
1 15/16 2	5 3/16	5 3/4	2 29/32	4 3/4	4 5/64	3/4	1/2	3 3/64	2 1/4	3/4	11/64	2 7/8	10.3
2 3/16 2 7/16 2 1/2	5 7/8	6 3/8	3 1/4	5 1/8	4 1/2	13/16	5/8	3 19/64	2 7/16	13/16	11/64	3 1/8	12.2
2 7/16 2 1/2	6 1/8	6 3/4	4	5 3/4	4 25/32	1 1/32	5/8	3 35/64	2 21/32	27/32	11/64	3 3/8	16.2
2 11/16 2 3/4 2 15/16 3	7 3/16	7 7/8	4 3/8	6 5/8	5 37/64	15/16	3/4	3 59/64	2 7/8	1	19/64	3 5/8	25.1
3 3/16 3 7/16 3 1/2	8 3/8	9 1/2	5 1/8	7 5/8	6 23/32	1 1/8	3/4	4 21/64	3 9/32	1	19/64	4 1/32	35.0
3 11/16 3 15/16 4	9 1/2	10 3/4	6	8 3/8	7 39/64	1 3/16	7/8	4 53/64	3 9/16	1 9/32	15/64	4 19/32	48.0

REV 2

Non-Expansion Pillow Block Part Numbers are specified by "SFB1000NE" and bore size: Example, **SFB1000NEx 2 7/16"**. For Contact Seals Add "C" to prefix: Example, **SFB1000NECx 2 7/16"**.

Expansion Pillow Block Part Numbers are specified by "SFB1000E" and bore size: Example, **SFB1000Ex 2 7/16"**. For Contact Seals Add "C" to prefix: Example, **SFB1000ECx 2 7/16"**.

Self-aligning with contacts seals ± 1 1/4°.

Spherical Roller Bearings

SFB1000-3

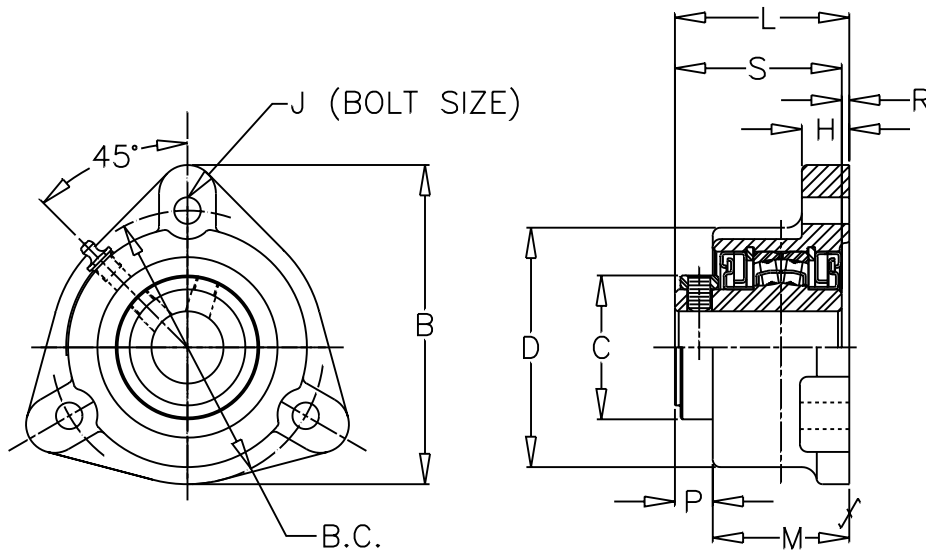
SPHERICAL ROLLER S
 FLANGE F
 CARTRIDGE C

 1000 SERIES 1
 SET SCREW LOCK 0
 CAST IRON 0
 BEARING 0
 THREE BOLT MOUNTING 3

Lock: Set screw
Seal: MULTI-TRAP® Labyrinth
Housing: Cast Iron
Temperatures: -20°F to 200°F
Optional Seal: Double Lip Contact
Self Aligning: ±1 1/2°
Fitting: 1/4" NPT

Load Rating Tables: Page 135
Interchange Tables: Page 162

Expansion and Non-Expansion



SHAFT DIA. IN.	Dimensions In Inches											UNIT WT.
	B	BC	C	D	H	J	L*	M	P	R*	S	
1 1/8												
1 3/16	5 1/4	4 1/2	2 15/32	3 15/16	25/32	3/8	2 7/8	2 1/4	5/8	1/8	2 3/4	7.3
1 1/4												
1 7/16	5 1/4	5	2 15/32	3 15/16	25/32	1/2	2 7/8	2 1/4	5/8	1/8	2 3/4	6.8
1 1/2												

REV 0

*Dimensions L and R are for non-expansion unit. For expansion type, increase L and R by .098" max.

Non-Expansion Flange Block part numbers are SFB1000NE-3 and bore size. Example: SFB1000NE-3 x 1 1/8. For contact seal add "C" to prefix:

Example: **SFB1000NEC-3 x 1 1/8"**.

Expansion Flange Block part numbers are SFB1000E-3 and bore size. Example: SFB1000E-3 x 1 1/8. For contact seal add "C" to prefix:

Example: **SFB1000EC-3 x 1 1/8"**.

Self-aligning with contacts seals ± 1 1/4°.



1000

Browning®

Spherical Roller Bearings

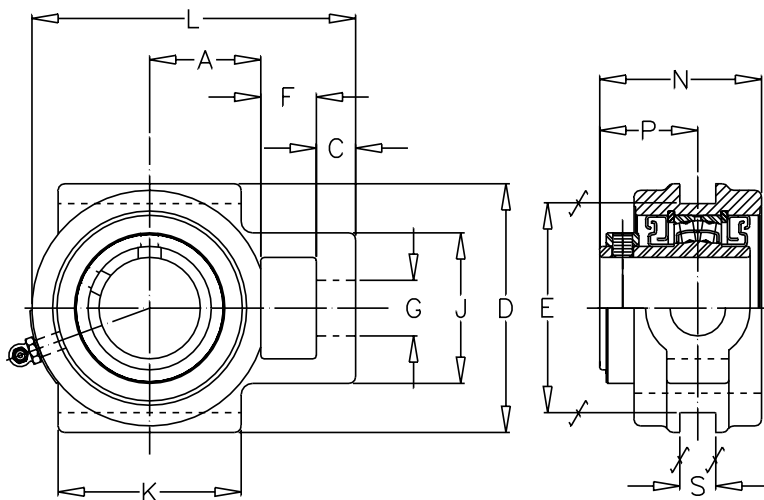
STU1000

Lock: Set Screw
Seal: MULTI-TRAP® Labyrinth
Housing: Cast Iron
Temperatures: -20°F to 200°F
Optional Seal: Double Lip Contact
Self Aligning: ±1 1/2°
Fitting: 1/8" NPT

Load Rating Tables: Page 135
Interchange Tables: Page 162

S SPHERICAL ROLLER
 T TAKE
 U UP

 1 1000 SERIES
 0 SET SCREW LOCK
 0 CAST IRON
 0 BEARING



SHAFT DIA. IN.	Dimensions In Inches												UNIT WT.
	A	C	D	E	F	G*	J	K	L	N	P	S	
1 15/16													
2	2 1/8	3/4	4 3/4	4	1 1/16	1 1/16	2 7/8	3 1/2	6 3/16	3 3/32	1 7/8	11/16	15.0
2 3/16	2 3/8	3/4	5 1/4	4 1/2	1 3/16	1 3/16	3 1/2	3 3/4	6 13/16	3 9/32	2	13/16	18.0
2 7/16													
2 1/2	2 3/4	7/8	5 7/8	5 1/8	1 5/16	1 5/16	3 3/4	4 3/4	7 15/16	3 15/32	2 1/8	1 1/16	24.0
2 11/16													
2 3/4													
2 15/16	3	1	6 3/4	5 15/16	1 9/16	1 9/16	4 1/4	4 3/4	8 3/4	3 7/8	2 3/8	1 13/16	30.0
3													
3 3/16													
3 7/16	3 5/8	1	7 5/8	6 13/16	1 13/16	1 13/16	4 7/8	6 1/4	10 7/16	4 7/16	2 19/32	1 13/16	38.0
3 1/2													
3 11/16													
3 15/16	4 1/8	1 1/8	9 7/16	8 5/8	2 1/8	2 3/16	5 5/8	7	11 13/16	5 7/32	2 31/32	2 1/16	48.0
4													

*These dimensions are for Non-Expansion units. For expansion type, adjust ±.050."

REV 0

Part Numbers are specified by "STU1000NE" and bore size: Example, **STU1000NEx 3 7/16"**.

For Contact Seals Add "C" to prefix: Example **STU1000NECx 3 7/16"**.

These Take-Up Bearings are to be used with T1000 Take-Up Frames shown on page 129.

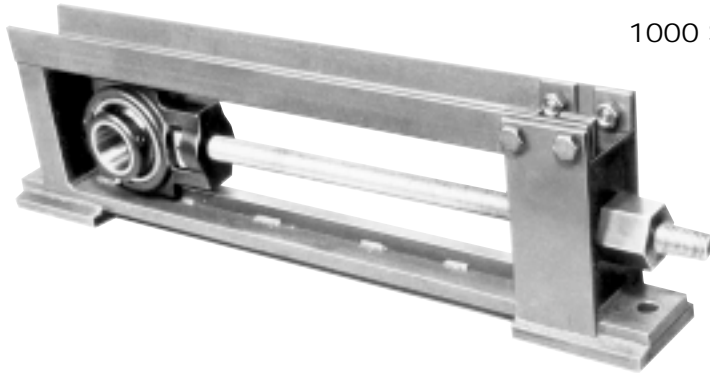
Bearing unit and frame must be ordered separately.

Self-aligning with contacts seals ± 1 1/4°.



Spherical Roller Bearings

T1000



TAKE UP FRAME T

1000 SERIES 1

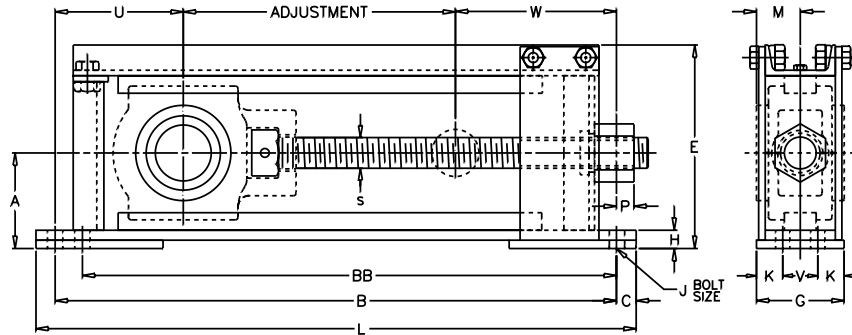
0
0
0

Material:

All Steel
Construction

Exclusive Design:

Removable Top
Permits Assembling of Take-Up
Unit on Shaft
Before Inserting in
Take-Up Frame.



SHAFT DIA. IN	FRAME PART NO.	Adjustment*		Dimensions In Inches														Bolts Req'd		UNIT WT.	
		Nom.	Actual	A	B	BB	C	E	G	H	K	L	M	S	P	U	V	W	No.		Size J
1 15/16	12-16.5T1000D	12	16.5	3 15/16	27 1/2	26 1/2	1	8 9/32	4	1 1/4	-	29 1/2	1 7/8	1-8NC	1 1/4	5 3/8	-	5 5/8	2	5/8	60
	18-22.5T1000D	18	22.5	3 15/16	33 1/2	32 1/2	1	8 9/32	4	1 1/4	-	35 1/2	1 7/8	1-8NC	1 1/4	5 3/8	-	5 5/8	2	5/8	70
	24-28.5T1000D	24	28.5	3 15/16	39 1/2	38 1/2	1	8 9/32	4	1 1/4	-	41 1/2	1 7/8	1-8NC	1 1/4	5 3/8	-	5 5/8	2	5/8	80
2 3/16	12-17T1000EL	12	17	4 3/16	27 1/2	-	1	8 21/32	4	1 3/8	-	29 1/2	2	1 1/8-7NC	1 5/8	4 9/16	-	5 15/16	2	5/8	65
	18-23T1000EL	18	23	4 3/16	33 1/2	-	1	8 21/32	4	1 3/8	-	35 1/2	2	1 1/8-7NC	1 5/8	4 9/16	-	5 15/16	2	5/8	77
	24-29T1000EL	24	29	4 3/16	39 1/2	-	1	8 21/32	4	1 3/8	-	41 1/2	2	1 1/8-7NC	1 5/8	4 9/16	-	5 15/16	2	5/8	86
2 3/16	12-17T1000EH	12	17	4 7/16	27 1/2	-	1	8 29/32	4	1 5/8	-	29 1/2	2	1 1/8-7NC	1 5/8	4 9/16	-	5 15/16	2	5/8	68
	18-23T1000EH	18	23	4 7/16	33 1/2	-	1	8 29/32	4	1 5/8	-	35 1/2	2	1 1/8-7NC	1 5/8	4 9/16	-	5 15/16	2	5/8	80
	24-29T1000EH	24	29	4 7/16	39 1/2	-	1	8 29/32	4	1 5/8	-	41 1/2	2	1 1/8-7NC	1 5/8	4 9/16	-	5 15/16	2	5/8	91
2 7/16	12-16.6T1000F	12	16.6	4 3/8	28 1/2	-	1	9 3/16	4	1 1/8	-	30 1/2	2 1/8	1 1/4-7NC	1 3/4	5 5/16	-	6 9/16	2	3/4	71
	18-22.6T1000F	18	22.6	4 3/8	34 1/2	-	1	9 3/16	4	1 1/8	-	36 1/2	2 1/8	1 1/4-7NC	1 3/4	5 5/16	-	6 9/16	2	3/4	81
	24-28.6T1000F	24	28.6	4 3/8	40 1/2	-	1	9 3/16	4	1 1/8	-	42 1/2	2 1/8	1 1/4-7NC	1 3/4	5 5/16	-	6 9/16	2	3/4	91
2 1/2	30-34.6T1000F	30	34.6	4 3/8	46 1/2	-	1	9 3/16	4	1 1/8	-	48 1/2	2 1/8	1 1/4-7NC	1 3/4	5 5/16	-	6 9/16	2	3/4	111
2 11/16	12-15.5T1000GL	12	15.5	4 15/16	30 1/2	-	1	10 11/16	5	31/32	1 1/2	32 1/2	2 3/8	1 1/2-6NC	1/2	6 1/2	2	8 1/2	4	5/8	105
	18-21.5T1000GL	18	21.5	4 15/16	36 1/2	-	1	10 11/16	5	31/32	1 1/2	38 1/2	2 3/8	1 1/2-6NC	1/2	6 1/2	2	8 1/2	4	5/8	120
	24-27.5T1000GL	24	27.5	4 15/16	42 1/2	-	1	10 11/16	5	31/32	1 1/2	44 1/2	2 3/8	1 1/2-6NC	1/2	6 1/2	2	8 1/2	4	5/8	135
3	30-33.5T1000GL	30	33.5	4 15/16	48 1/2	-	1	10 11/16	5	31/32	1 1/2	50 1/2	2 3/8	1 1/2-6NC	1/2	6 1/2	2	8 1/2	4	5/8	150
2 11/16	12-15.5T1000GH	12	15.5	5 1/8	30 1/2	-	1	10 7/8	5	1 5/32	1 1/2	32 1/2	2 3/8	1 1/2-6NC	1/2	6 1/2	2	8 1/2	4	5/8	109
	18-21.5T1000GH	18	21.5	5 1/8	36 1/2	-	1	10 7/8	5	1 5/32	1 1/2	38 1/2	2 3/8	1 1/2-6NC	1/2	6 1/2	2	8 1/2	4	5/8	126
	24-27.5T1000GH	24	27.5	5 1/8	42 1/2	-	1	10 7/8	5	1 5/32	1 1/2	44 1/2	2 3/8	1 1/2-6NC	1/2	6 1/2	2	8 1/2	4	5/8	141
3	30-33.5T1000GH	30	33.5	5 1/8	48 1/2	-	1	10 7/8	5	1 5/32	1 1/2	50 1/2	2 3/8	1 1/2-6NC	1/2	6 1/2	2	8 1/2	4	5/8	156
3 3/16	12-15.5T1000JL	12	15.5	5 7/16	32	-	1 1/8	11 5/8	5	1 1/32	1 1/2	34 1/4	2 19/32	1 3/4-5NC	1	7 5/16	2	9 3/16	4	3/4	138
	18-21.5T1000JL	18	21.5	5 7/16	38	-	1 1/8	11 5/8	5	1 1/32	1 1/2	40 1/4	2 19/32	1 3/4-5NC	1	7 5/16	2	9 3/16	4	3/4	156
	24-27.5T1000JL	24	27.5	5 7/16	44	-	1 1/8	11 5/8	5	1 1/32	1 1/2	46 1/4	2 19/32	1 3/4-5NC	1	7 5/16	2	9 3/16	4	3/4	173
3 1/2	30-33.5T1000JL	30	33.5	5 7/16	50	-	1 1/8	11 5/8	5	1 1/32	1 1/2	52 1/4	2 19/32	1 3/4-5NC	1	7 5/16	2	9 3/16	4	3/4	191
3 3/16	12-15.5T1000JH	12	15.5	5 5/8	32	-	1 1/8	11 13/16	5	1 7/32	1 1/2	34 1/4	2 19/32	1 3/4-5NC	1	7 5/16	2	9 3/16	4	3/4	145
	18-21.5T1000JH	18	21.5	5 5/8	38	-	1 1/8	11 13/16	5	1 7/32	1 1/2	40 1/4	2 19/32	1 3/4-5NC	1	7 5/16	2	9 3/16	4	3/4	163
	24-27.5T1000JH	24	27.5	5 5/8	44	-	1 1/8	11 13/16	5	1 7/32	1 1/2	46 1/4	2 19/32	1 3/4-5NC	1	7 5/16	2	9 3/16	4	3/4	179
3 7/16	30-33.5T1000JH	30	33.5	5 5/8	50	-	1 1/8	11 13/16	5	1 7/32	1 1/2	52 1/4	2 19/32	1 3/4-5NC	1	7 5/16	2	9 3/16	4	3/4	197
3 11/16	12-18T1000K	12	18	7	36	-	1 1/4	14 15/32	6	1 7/16	1 3/4	38 1/2	2 31/32	2-4 1/2NC	1 5/8	7 1/2	2 1/2	10 7/16	4	3/4	191
	18-24T1000K	18	24	7	42	-	1 1/4	14 15/32	6	1 7/16	1 3/4	44 1/2	2 31/32	2-4 1/2NC	1 5/8	7 1/2	2 1/2	10 7/16	4	3/4	223
	24-30T1000K	24	30	7	48	-	1 1/4	14 15/32	6	1 7/16	1 3/4	50 1/2	2 31/32	2-4 1/2NC	1 5/8	7 1/2	2 1/2	10 7/16	4	3/4	249
3 15/16	30-36T1000K	30	36	7	54	-	1 1/4	14 15/32	6	1 7/16	1 3/4	56 1/2	2 31/32	2-4 1/2NC	1 5/8	7 1/2	2 1/2	10 7/16	4	3/4	274

Part Numbers are specified by "T1000" with travel adjustment and bore size: Example, 12-16.6T1000F has 12"-16.6" adjustment and will accommodate a STU1000x 2 7/16" bearing unit.

REV 0

These Take-Up Frames are to be used with STU Take-Up Units shown on page 128.

Bearing unit and frame must be ordered separately.

*Nominal adjustment is that offered by competitive frames having the same length.

Browning frames give greater ACTUAL adjustment, often permitting use of shorter, more compact frames.

Browning frames with over 12" nominal adjustment have a third foot in the center for extra support.

See page 152 for trademark acknowledgments.



1000

SFC1000

Lock: Set Screw
Seal: MULTI-TRAP® Labyrinth
Housing: Cast Iron
Temperatures: -20°F to 200°F
Optional Seal: Double Lip Contact
Self Aligning: ±1 1/2°
Fitting: 1/4" -28NF

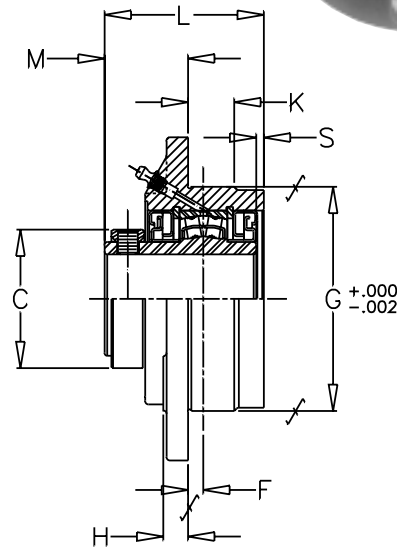
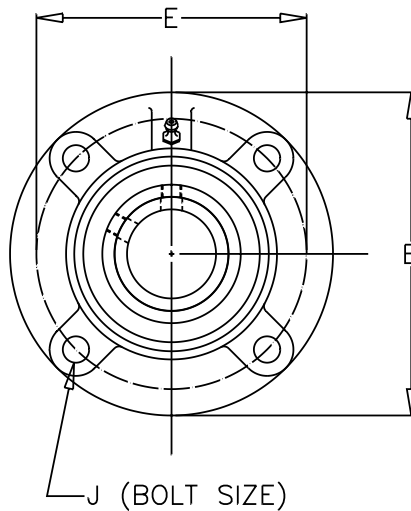
Load Rating Tables: Page 135
Interchange Tables: Page 162

Browning®

Spherical Roller Bearings

SPHERICAL ROLLER S
 FLANGE F
 CARTRIDGE C

1000 SERIES 1
 SET SCREW LOCK 0
 CAST IRON 0
 BEARING 0



SHAFT DIA. IN.	Dimensions In Inches											UNIT WT.
	B	C	E	F*	G	H	J	K	L*	M*	S*	
1 7/16 1 1/2	5 1/4	2 15/32	4 3/8	1/4	3 5/8	15/32	3/8	-	2 3/4	1 33/64	1/16	6.6
1 11/16 1 3/4	6 1/8	2 23/32	5 1/8	19/64	4 1/4	15/32	7/16	7/8	3 1/64	1 37/64	9/64	8.2
1 15/16 2	6 3/8	2 29/32	5 3/8	21/64	4 1/2	17/32	7/16	7/8	3 1/64	1 9/16	9/64	10.4
2 3/16 2 7/16 2 1/2	7 1/8	3 1/4	6	9/32	5	17/32	1/2	1	3 7/32	1 3/4	3/32	14.5
2 11/16 2 3/4 2 15/16 3	8 3/4	4 3/8	7 1/2	13/32	6 3/8	23/32	5/8	1 1/4	3 27/32	2	7/32	22.0
3 3/16 3 7/16 3 1/2	10 1/4	5 1/8	8 5/8	9/32	7 3/8	27/32	3/4	1 1/4	4 9/64	2 19/64	7/64	33.0
3 11/16 3 15/16 4	10 7/8	6	9 3/8	5/16	8 1/8	31/32	3/4	1 1/2	4 3/4	2 21/32	9/64	45.0

*These dimensions are for Non-Expansion units. For expansion type, adjust ±.050."

REV 1

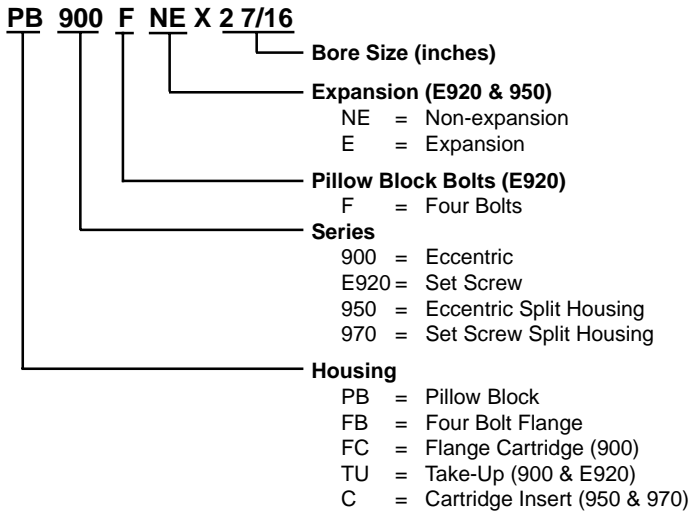
Non-Expansion Pillow Block Part Numbers are specified by "SFC1000NE" and bore size: Example, **SFC1000NEx 2 7/16"**. For Contact Seals Add "C" to prefix: Example, **SFC1000NECx 2 7/16"**.

Expansion Pillow Block Part Numbers are specified by "SFC1000E" and bore size: Example, **SFC1000Ex 2 7/16"**. For Contact Seals Add "C" to prefix: Example, **SFB1000ECx 2 7/16"**.

Self-aligning with contacts seals ± 1 1/4°.

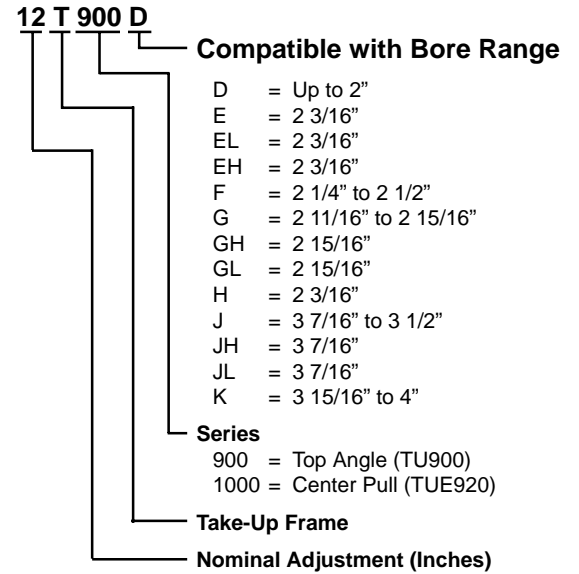
Spherical Roller Bearings

Tapered Roller Bearings Series (900, E920, 970, 950)

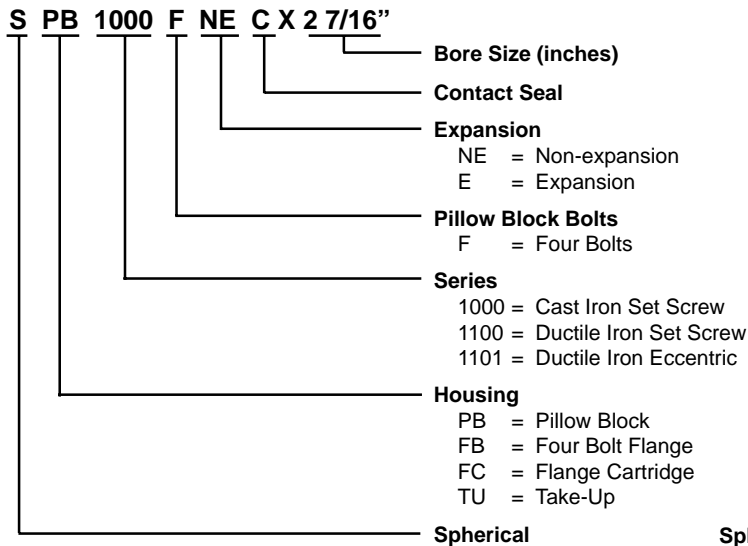


Part Number Explanation

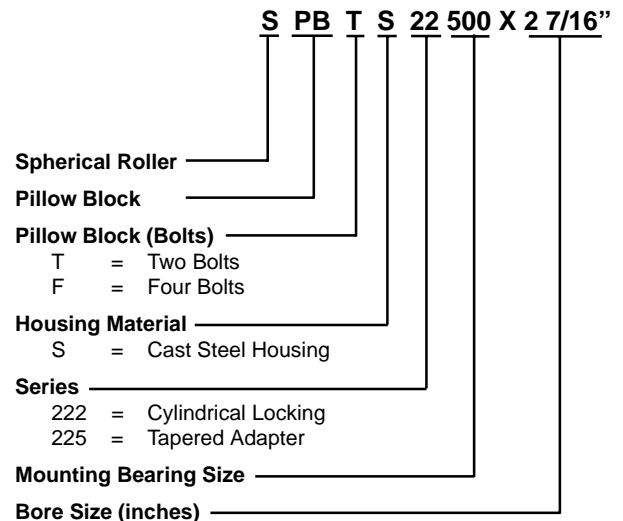
Take Up Frames



Spherical Roller Bearings Series (1000, 1100, 1101)



Spherical Roller Bearings Series (22500, 22200)



SPB1100

Lock: Set Screw
Seal: MULTI-TRAP® Labyrinth
Housing: Ductile Iron
Temperatures: -20° to 200°F
Optional Seal: Double Lip Contact
Self Aligning: ±1 1/2°
Fitting: 1/8" NPT
Bolt Holes: Elongated

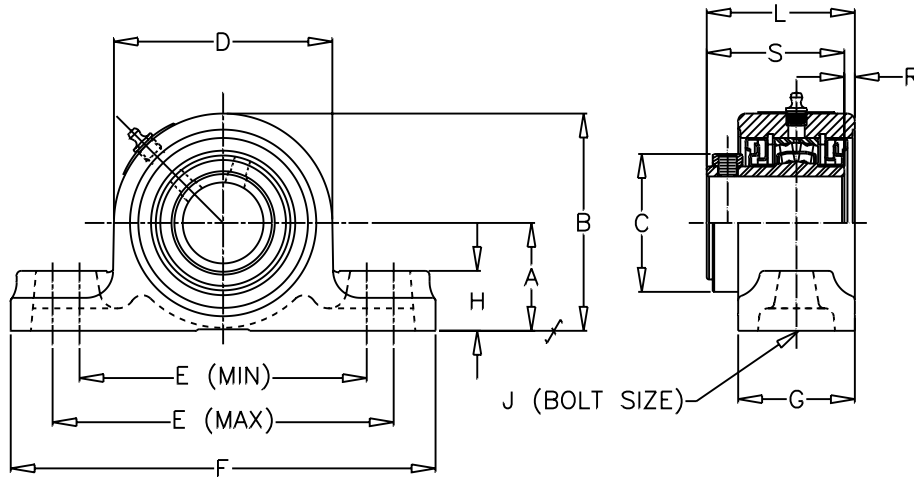
S SPHERICAL ROLLER
P PILLOW
B BLOCK

1 1100 SERIES
1 SET SCREW
0 DUCTILE IRON
0 BEARING



Load Rating Tables: Page 135
Interchange Tables: Page 162

Expansion and Non-Expansion



SHAFT DIA. IN.	Dimensions in Inches													UNIT WT.
	A	B	C	D	E		F	G	H	J	L*	R*	S	
					MIN	MAX								
1 15/16 2	2 1/4	4 17/32	3	4 9/16	6	7 1/8	8 7/8	2 7/16	1 1/4	5/8	3 3/32	7/32	2 7/8	11.2
2 3/16	2 1/2	4 31/32	3 3/8	4 15/16	6 1/2	7 7/8	9 5/8	2 1/2	1 1/4	5/8	3 1/4	1/8	3 1/8	13.1
2 7/16 2 1/2	2 3/4	5 5/8	3 3/8	5 1/4	6 7/8	8 5/8	10 3/8	2 53/64	1 3/8	5/8	3 35/64	11/64	3 3/8	16.3
2 11/16 2 3/4 2 15/16 3	3 1/8	6 1/16	4	5 7/8	7 7/8	9 5/8	11 5/8	2 5/8	1 3/8	3/4	3 11/16	1/16	3 5/8	19.9
3 3/16 3 7/16 3 1/2	3 3/4	7 3/8	4 11/16	7 1/4	9 3/8	11 1/4	13 1/2	3 1/8	1 7/8	7/8	4 5/32	1/8	4 1/32	34.1

*These dimensions are for Non-Expansion units. For expansion type, adjust ±.050."

REV 1

Non-Expansion Pillow Block Part Numbers are specified by "SPB1100NE" and bore size: Example, **SPB1100NEx 2 7/16"**. For Contact Seals Add "C" to prefix: Example, **SPB1100NECx 2 7/16"**.

Expansion Pillow Block Part Numbers are specified by "SPB1100E" and bore size: Example, **SPB1100Ex 2 7/16"**.

For Contact Seals Add "C" to prefix: Example, **SPB1100ECx 2 7/16"**.

Self-aligning with contacts seals ± 1 1/4°.

Spherical Roller Bearings

SFB1100



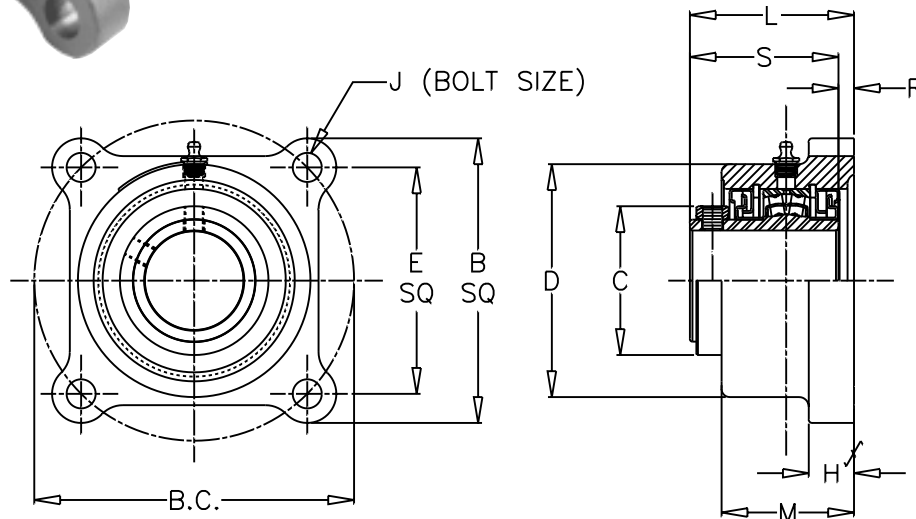
SPHERICAL ROLLER S
FLANGE F
BLOCK B

1100 1
SET SCREW 1
DUCTILE IRON 0
BEARING 0

Lock: Set Screw
Seal: MULTI-TRAP® Labyrinth
Housing: Ductile Iron
Temperatures: -20°F to 200°F
Optional Seal: Double Lip Contact
Self Aligning: ±1 1/2°
Fitting: 1/8" NPT

Load Rating Tables: Page 135
Interchange Tables: Page 162

Expansion and Non-Expansion



SHAFT DIA. IN.	Dimensions In Inches											UNIT WT.
	B	BC	C	D	E	H	J	L*	M	R*	S	
1 15/16	5 1/2	6 3/16	3	4 1/2	4 3/8	7/8	1/2	3 11/64	2 9/16	5/16	2 7/8	10.2
2	6 3/16	6 57/64	3 3/8	4 7/8	4 7/8	1	5/8	3 11/32	2 5/8	1/4	3 1/8	12.3
2 7/16	6 3/4	7 39/64	3 3/8	5 5/8	5 3/8	1	5/8	3 31/64	2 11/16	5/32	3 3/8	14.8
2 1/2												
2 11/16												
2 3/4	7 5/8	8 31/64	4	5 3/4	6	1 1/16	3/4	3 23/32	2 3/4	7/64	3 5/8	18.7
2 15/16												
3												
3 3/16												
3 7/16	8 5/8	9 57/64	4 11/16	7 1/8	7	1 5/16	3/4	4 1/4	3 5/16	1/4	4 1/32	33.1
3 1/2												

REV 1

*These dimensions are for Non-Expansion units. For expansion type, adjust ±.050."

Non-Expansion Flange Block Part Numbers are specified by "SFB1100NE" and bore size: Example, **SFB1100NEx 2 7/16"**. For Contact Seals Add "C" to prefix: Example, **SFB1100NECx 2 7/16"**.

Expansion Flange Block Part Numbers are specified by "SFB1100E" and bore size: Example, **SFB1100Ex 2 7/16"**. For Contact Seals Add "C" to prefix: Example, **SFB1100ECx 2 7/16"**.

Self-aligning with contacts seals ± 1 1/4°.



1100

Browning[®]

Spherical Roller Bearings

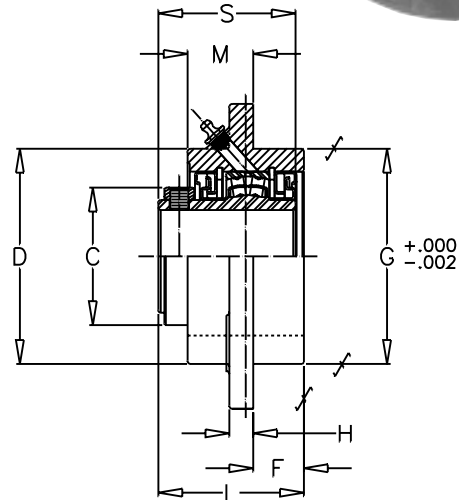
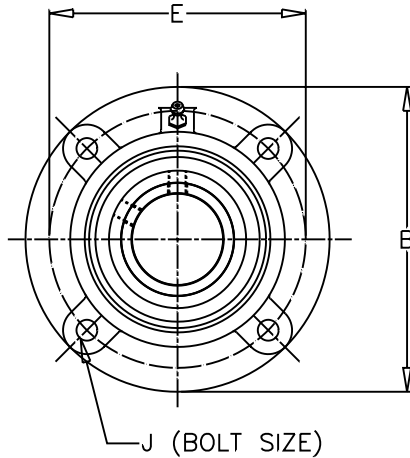
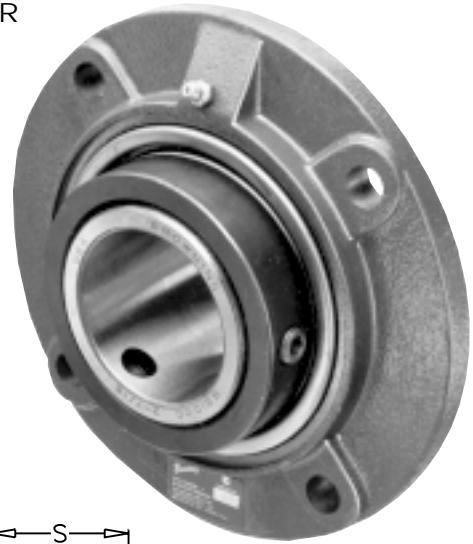
SFC1100

Lock: Set Screw
Seal: MULTI-TRAP[®] Labyrinth
Housing: Ductile Iron
Temperatures: - 20°F to 200°F
Optional Seal: Double Lip Contact
Self Aligning: ±1 1/2°
Fitting: 1/8" NPT

S SPHERICAL ROLLER
 F FLANGE
 C CARTRIDGE
 1 1100
 1 SET SCREW
 0 DUCTILE IRON
 0 BEARING

Load Rating Tables: Page 135
Interchange Tables: Page 162

Expansion and Non-Expansion



SHAFT DIA. IN.	Dimensions in Inches											UNIT WT.
	B	C	D	E	F	G	H	J	L*	M*	S	
1 15/16 2	6 3/8	2 29/32	4 1/2	5 3/8	1 1/16	4 1/2	1/2	3/8	3 3/32	1 3/8	2 7/8	10.0
2 3/16	7 1/8	3 1/4	4 7/8	6	1 1/8	5	1/2	1/2	3 1/4	1 3/8	3 1/8	14.0
2 7/16 2 1/2	7 5/8	4	5 3/8	6 1/2	1 1/8	5 1/2	9/16	1/2	3 13/32	1 7/16	3 3/8	15.5
2 11/16 2 3/4 2 15/16 3	8 3/4	4 3/8	6 1/4	7 1/2	1 1/4	6 3/8	11/16	5/8	3 11/16	1 5/16	3 5/8	21.6
3 3/16 3 7/16 3 1/2	10 1/4	5 1/8	7 1/8	8 5/8	1 5/16	7 3/8	7/8	3/4	4 1/8	1 13/16	4 1/32	40.0

*These dimensions are for Non-Expansion units. For expansion type, adjust ±.050."

REV 0

Non-Expansion Pillow Block Part Numbers are specified by "SFC1100NE" and bore size: Example, **SFC1100NEx 2 7/16"**. For Contact Seals Add "C" to prefix: Example, **SFC1100NECx 2 7/16"**.

Expansion Pillow Block Part Numbers are specified by "SFC1100E" and bore size: Example, **SFC1100Ex 2 7/16"**.

For Contact Seals Add "C" to prefix: Example, **SFC1100ECx 2 7/16"**.

Self-aligning with contacts seals ± 1 1/4°.



Spherical Roller Bearings

Spherical Roller Bearings 1000 and 1100 Series

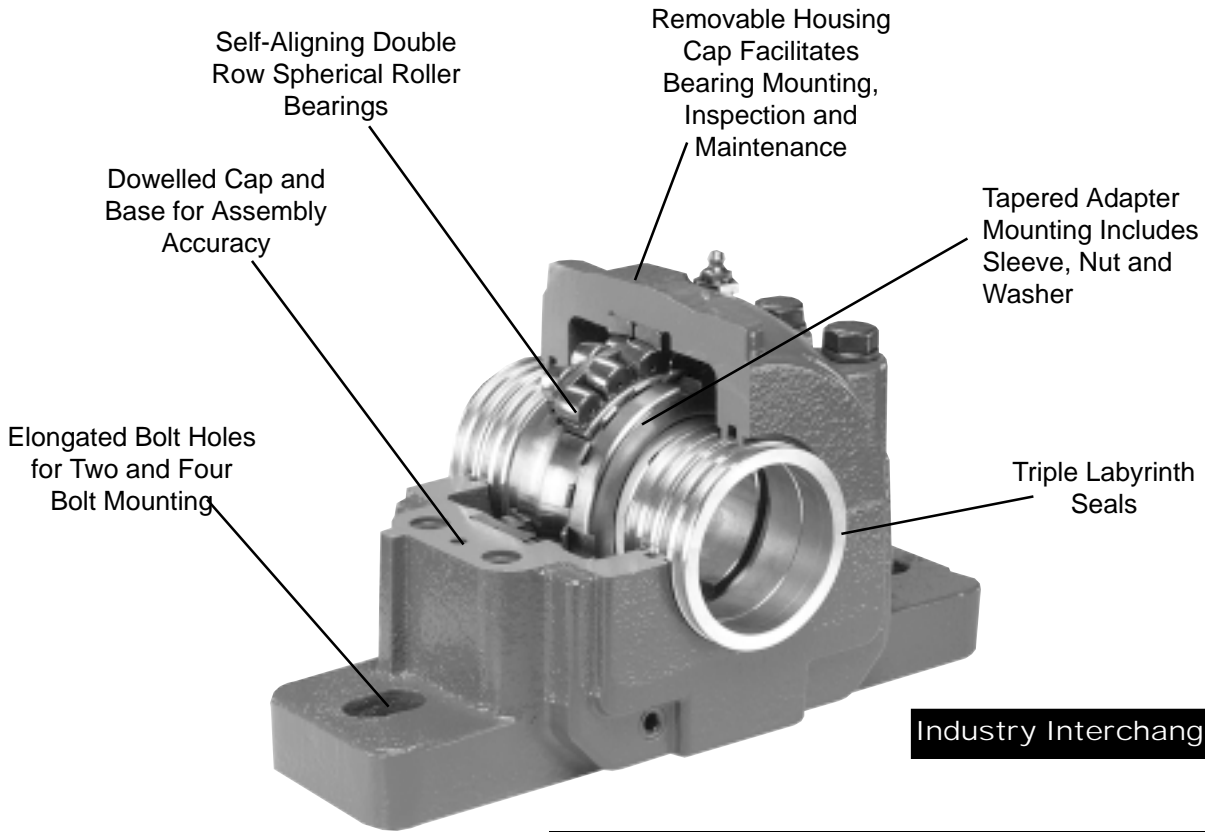
This chart displays the Browning 1000 and 1100 Series Spherical Roller Bearing's load capacity for a given L10 life, speed and shaft size. Values in the table represent loads at ideal conditions. The shaded areas indicate the maximum speed for the MULTI-TRAP® Seal. The maximum speed for the Contact Seal is indicated in the non-shaded areas. For combined load determination, see **THE BEARING SELECTION SECTION**, page 265. Areas designated by "-" exceed maximum speed value.

Match Bore Size

Size	Rating	L10 Hours	REVOLUTIONS PER MINUTE												
			50	100	150	250	500	750	1000	1500	1750	2000	2500	3000	3500
1 1/8	16600	5000	4880	4880	4880	4546	3692	3269	2999	2656	2535	2436	2278	2157	2059
		10000	4880	4860	4304	3692	2999	2656	2436	2157	2059	1979	1850	1752	1673
		30000	4304	3496	3095	2656	2157	1910	1752	1551	1481	1423	1331	1260	1203
		50000	3692	2999	2656	2278	1850	1639	1503	1331	1271	1221	1142	1081	1032
1 1/2		100000	3999	2436	2157	1850	1503	1331	1221	1081	1032	992	927	878	838
1 11/16	17300	5000	5090	5090	5090	4737	3848	3407	3125	2767	2642	2539	2374	2248	2146
		10000	5090	5065	4485	3848	3125	2767	2539	2248	2146	2062	1929	1826	1743
		30000	4485	3643	3226	2767	2248	1990	1826	1617	1544	1483	1387	1313	1254
		50000	3848	3125	2767	2374	1929	1708	1566	1387	1324	1272	1190	1127	1076
1 11/16		100000	3125	2539	2248	1929	1566	1387	1272	1127	1076	1033	967	915	874
1 15/16	18000	5000	5290	5290	5290	4929	4004	3545	3252	2879	2749	2641	2470	2339	2233
		10000	5290	5270	4667	4004	3252	2879	2641	2339	2233	2145	2007	1900	1814
		30000	4667	3790	3356	2879	2339	2071	1900	1682	1606	1543	1443	1366	1305
		50000	4004	3252	2879	2470	2007	1777	1630	1443	1378	1324	1238	1172	1119
1 15/16		100000	3252	2641	2339	2007	1630	1443	1324	1172	1119	1075	1006	952	909
2 3/16	22400	5000	6590	6590	6590	6134	4982	4412	4047	3583	3421	3287	3074	2911	2779
		10000	6590	6559	5807	4982	4047	3583	3287	2911	2779	2670	2497	2364	2257
		30000	5807	4717	4177	3583	2911	2577	2364	2093	1999	1920	1796	1700	1623
		50000	4982	4047	3583	3074	2497	2211	2028	1796	1715	1647	1541	1459	1393
2 3/16		100000	4047	3287	2911	2497	2028	1796	1647	1459	1393	1338	1251	1185	1131
2 7/16	32400	5000	9530	9530	9530	8872	7206	6381	5853	5183	4949	4754	4447	4210	
		10000	9530	9486	8400	7206	5853	5183	4754	4210	4020	3682	3612	3420	
		30000	8400	6823	6041	5183	4210	3728	3420	3028	2891	2778	2598	2459	
		50000	7206	5853	5183	4447	3612	3198	2934	2598	2480	2383	2229	2110	
2 7/16		100000	5853	4754	4210	3612	2934	2598	2383	2110	2015	1936	1810	1714	
2 11/16	34600	5000	10175	10175	10175	9475	7696	68144	6251	5535	5285	5077	4749	4496	
		10000	10175	10131	8970	7696	6251	5535	5077	4496	4293	4124	3857	3652	
		30000	8970	7286	6452	5535	4496	3981	3652	3233	3087	2966	2774	2626	
		50000	7696	6251	5535	4749	3857	3415	3133	2774	2649	2545	2380	2253	
2 11/16		100000	6251	5077	4496	3857	3133	2774	2545	2253	2151	2067	1933	1830	
3 3/16	54900	5000	16150	16150	16150	15033	12211	10812	9918	8782	8385	8056	7133	6811	6544
		10000	16150	16074	14233	12211	9918	8782	8056	7133	6811	6544			
		30000	14233	11561	10237	8782	7133	6316	5794	5131	4899	4706			
		50000	12211	9918	8782	7535	6120	5419	4971	4402	4203	4038			
3 3/16		100000	9918	8056	7133	6120	4971	4402	4038	3575	3414	3280			
3 11/16	70000	5000	20590	20590	20590	19168	15569	13786	12646	1198	10692	10272			
		10000	20590	20495	18148	15569	12646	11198	10272	9096	8684	8343			
		30000	18148	14741	13052	11198	9096	8054	7388	6542	6246	6001			
		50000	15569	12646	11198	9607	7803	6909	6338	5612	5359	5148			
3 11/16		100000	12646	10272	9096	7803	6338	5612	5148	4559	4353	4182			
4 7/16	91800	5000	27000	27000	27000	25138	20418	18080	16585						
		10000	27000	26878	23800	20148	16585	14685	13471						
		30000	23800	19331	17117	14685	11928	10562	9689						
		50000	20418	16585	14685	12599	10233	9061	8312						
4 7/16		100000	16585	13471	11928	10233	8312	7360	6751						
4 15/16	124,000	5000	36470	36470	36470	33955	27580	24421							
		10000	36470	36306	32148	27580	22402	19836							
		30000	32148	26112	23121	19836	16112	14267							
		50000	27580	22402	19836	17018	13823	12240							
4 15/16		100000	22402	18196	16112	13823	11228	9942							

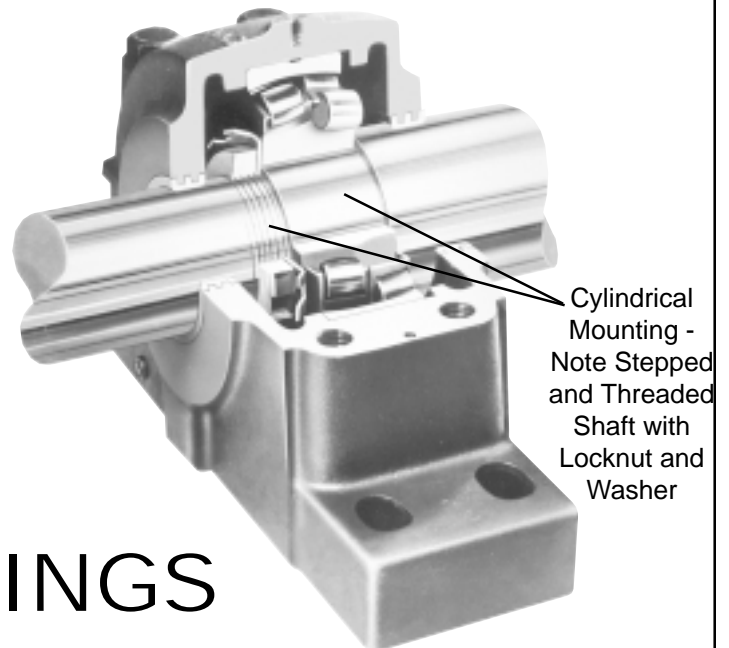
Spherical Roller Bearings

SPBT22500



Industry Interchangeability

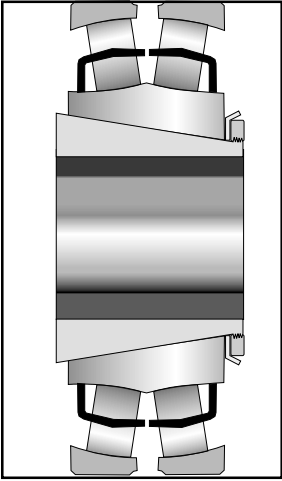
SPBF22200



Note: Other features are like the 22500 series

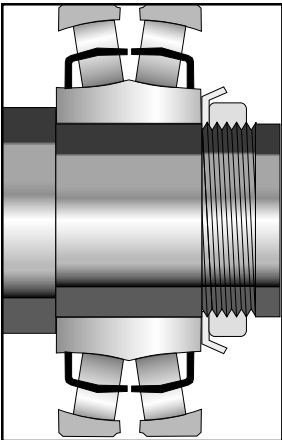
BROWNING 22500/22200 SPHERICAL ROLLER BEARINGS FEATURES/BENEFITS

LOCKING



22500 LOCKING

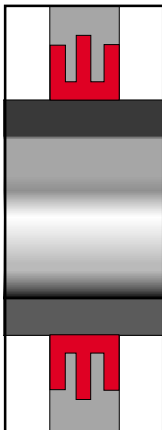
The Browning 22500 series utilizes a tapered adapter system to fasten the bearing to the shaft. The SNW adapter assembly system consists of a sleeve, lock nut and lock washer that is available from Browning for shaft mounting of tapered bore 22200CKW33C3 spherical roller bearings. This method provides positive shaft lock and conforms to a wide range of shaft tolerances, and maintains concentricity of shaft to bearing bore. The adapter sleeve system does not mar the shaft and reduces fretting corrosion.



22200 LOCKING

The Browning 22200 cylindrical bore variation is a highly reliable lock because it requires a press or shrink fit on the shaft. This system requires the user to provide a precise stepped shaft and machined threads for installation of 22200CW33C3 spherical roller bearing inserts.

SEALING



22500/22200 SEALING

Browning 22500/22200 series are available with standard triple labyrinth seals that are manufactured in aluminum. These (LER) type seals are designed with two grooves that mate with the machined grooves in the housing forming a labyrinth to help keep out contamination. This close clearance seal provides energy efficient operation and lubricant retention characteristics.

BROWNING 22500/22200 SPHERICAL ROLLER BEARINGS FEATURES/BENEFITS

HOUSING

22500/22200 HOUSINGS

Browning 22500 and 22200 series housings are available in cast iron or steel. The 22500 steel and 22200 series pillow blocks are not stocked. These housing styles are provided with a universal sump configuration suitable for grease, oil bath or circulating oil lubrication. Slotted bolt holes in the housing base enable positioning and alignment during installation. A stabilizing ring is furnished with each housing and must be removed for expansion.



GENERAL

This heavy duty line of pillow blocks is designed for typical SAF dimensional interchangeably and generally used in applications where heavier loads are encountered and grease or oil lubrication is desirable. Common applications are found on conveyors in the pulp and paper, mining, aggregate, bulk material handling and steel industries.

TABLE OF CONTENTS

SPBT22500 Pillow Blocks ...	138
SPBF22500 Pillow Blocks ...	139
SPBTS22500 Pillow Blocks	140
SPBFS22500 Pillow Blocks	140
SPBT22200 Pillow Blocks ...	141
SPBF22200 Pillow Blocks ...	141
SPBTS22200 Pillow Blocks	142
SPBFS22200 Pillow Blocks	142
Bearings & Accessories	143

22500 Series

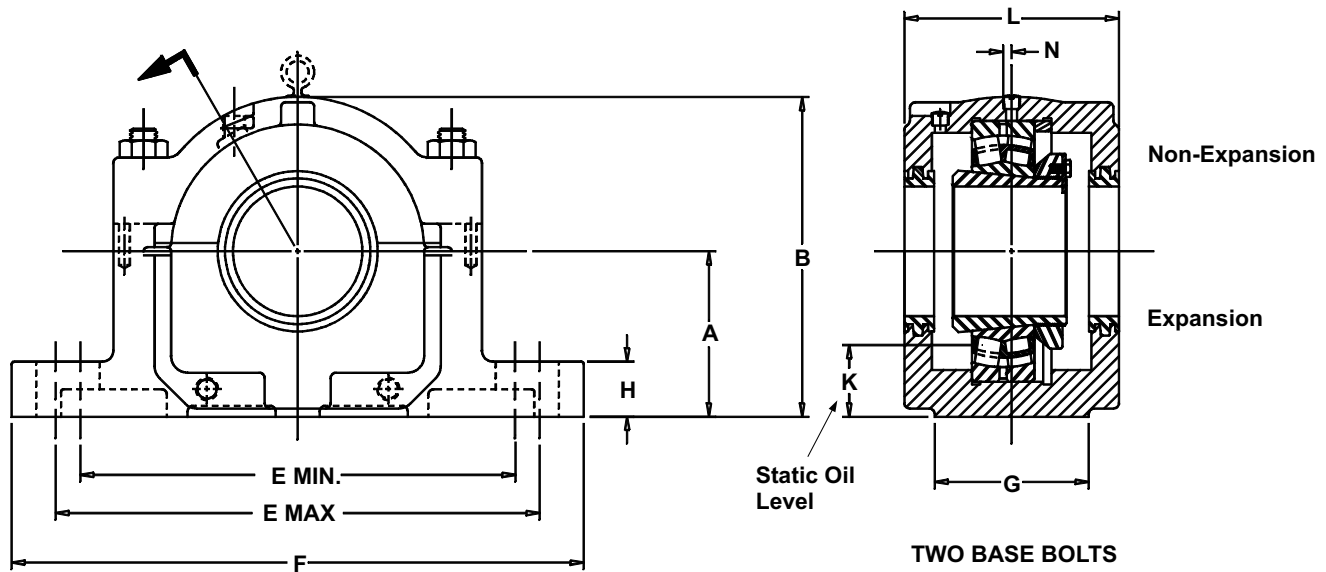
Cast Iron Pillow Blocks

- Lock:** Adapter Mount
- Seal:** Triple Labyrinth
- Housing:** Two Bolt Base
- Temperatures:** -20°F to 200° F
- Self Aligning:** See Page 272
- Fitting:** 1/4 - 28 NF
- Bearing Insert:** 22200 CKW33C3
- Accessories:** Page 143
- Ratings:** Page 151
- Interchange Tables:** Page 162

- S SPHERICAL ROLLER
- P PILLOW
- B BLOCK
- T TWO BOLT BASE

- 2 22500
- 2 BEARING SERIES
- 5 ADAPTER MOUNT
- 0 BEARING
- 0 SIZE

Expansion and Non-Expansion



PART NUMBERS					DIMENSIONS IN INCHES													
SHAFT SIZE	(1) Complete Pillow Block	COMPONENTS			A	B	E		F	G	H	K	L	M	N	No.	Size	Wt. Lbs.
		Housing	Seal Rings (2 Req'd.)	Stabilizing Ring (1 Req'd.)			MIN.	MAX.										
TWO BASE BOLT TYPE																		
2 7/16	SPBT22515 X 2 7/16	ST515	SR-207	SR-15	3 1/4	6 3/8	8 5/8	9 5/8	11 1/4	3 1/8	1 1/8	1 1/4	4 3/4	-	1/16	2	5/8	30
2 1/2	SPBT22515 X 2 1/2	ST515	SR208	SR-15	3 1/4	6 9/16	8 5/8	9 5/8	11 1/4	3 1/8	1 1/4	1 1/4	4 3/4	-	1/16	2	5/8	31
2 11/16	SPBT22516 X 2 11/16	ST516	SR-211	SR-16	3 1/2	6 7/8	9 5/8	11	13	3 1/2	1 3/16	1 3/8	4 7/8	-	3/16	2	3/4	37
2 3/4	SPBT22516 X 2 3/4	ST516	SR-212	SR-16	3 1/2	7 1/16	9 5/8	11	13	3 1/2	1 3/8	1 3/8	5 3/8	-	3/16	2	3/4	43
2 15/16	SPBT22517 X 2 15/16	ST517	SR-215	SR-17	3 3/4	7 1/4	9 7/8	11	13	3 1/2	1 1/4	1 1/2	4 15/16	-	3/16	2	3/4	40
3	SPBT22517 X 3	ST517	SR-300	SR-17	3 3/4	7 1/2	9 7/8	11	13	3 1/2	1 7/16	1 1/2	5 3/8	-	3/16	2	3/4	48
3 3/16	SPBT22518 X 3 3/16	ST518	SR-303	SR-18	4	7 3/4	10 3/8	11 5/8	13 3/4	3 7/8	1 1/2	1 5/8	6 1/4	-	3/16	2	3/4	49
3 7/16	SPBT22520 X 3 7/16	ST520	SR-307	SR-20	4 1/2	8 11/16	11 5/8	13 1/8	15 1/4	4 3/8	1 3/4	1 3/4	6	-	3/16	2	7/8	65
3 1/2	SPBT22520 X 3 1/2	ST520	SR-308	SR-20	4 1/2	9	11 5/8	13 1/8	15 1/4	4 3/8	1 3/4	1 3/4	6 1/4	-	3/16	2	7/8	76

REV 1

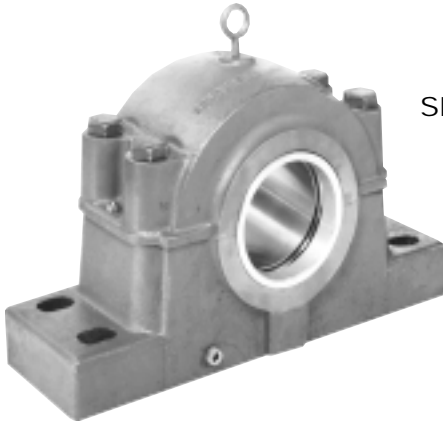
(1) This part number includes all components (housing, bearing, seal rings, stabilizing ring, adapter assembly, locknut and lockwasher) which are required to assemble a complete pillow block. Components are packaged separately. Refer to pages 143-144 for bearing and adapter assemblies.

A stabilizing ring is furnished with each housing. **DO NOT** use for expansion bearing. **NOTE:** Only one non-expansion bearing should be used on a shaft; all others on the same shaft **MUST** be expansion type.

Non-expansion (fixed bearing is offset by "N" amount in relation to center line of housing.

Spherical Roller Bearings

22500 Series



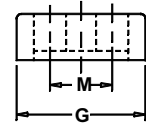
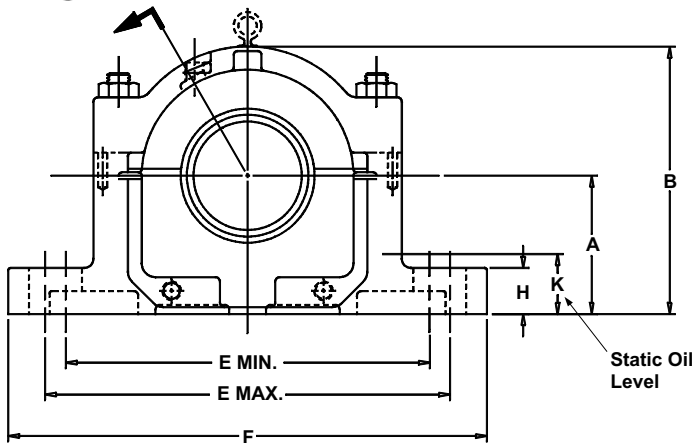
SPHERICAL ROLLER S
 PILLOW P
 BLOCK B
 FOUR BOLT BASE F

22500 2
 BEARING SERIES 2
 ADAPTER MOUNT 5
 BEARING 0
 SIZE 0

Cast Iron Pillow Blocks

Lock: Adapter Mount
Seal: Triple Labyrinth
Housing: Four Bolt Base
Temperatures: -20°F to 200°F
Self Aligning: See Page 272
Fitting: 1/4 - 28 NF
Bearing Insert: 22200 CKW33C3
Accessories: Page 143
Ratings: Page 151
Interchange Tables: Page 162

Expansion and Non-Expansion



FOUR BASE BOLTS

PART NUMBERS					DIMENSIONS IN INCHES													
SHAFT SIZE	(1) Complete Pillow Block*	COMPONENTS			A	B	E		F	G	H	K	L	M	N	No.	Size	Wt. Lbs.
		Housing	Seal Rings (2 Req'd.)	Stabilizing Ring (1 Req'd.)			MIN.	MAX.										
FOUR BASE BOLT TYPE																		
2 7/16	SPBF22515 X 2 7/16	SF515	SR-207	SR-15	3 1/4	6 3/8	8 5/8	9 5/8	11 1/4	3 1/8	1 1/8	1 1/4	4 3/4	1 7/8	1/16	4	1/2	30
2 1/2	SPBF22515 X 2 1/2	SF515	SR-208	SR-15	3 1/4	6 9/16	8 5/8	9 5/8	11 1/4	3 1/8	1 1/8	1 1/4	4 3/4	1 7/8	1/16	4	1/2	31
2 11/16	SPBF22516 X 2 11/16	SF516	SR-211	SR-16	3 1/2	6 7/8	9 5/8	11	13	3 1/2	1 3/16	1 3/8	4 7/8	2 1/8	3/16	4	5/8	37
2 3/4	SPBF22516 X 2 3/4	SF516	SR-212	SR-16	3 1/2	7 1/16	9 5/8	11	13	3 1/2	1 3/16	1 3/8	5 3/8	2 1/8	3/16	4	5/8	43
2 15/16	SPBF22517 X 2 15/16	SF517	SR-215	SR-17	3 3/4	7 1/4	9 7/8	11	13	3 1/2	1 1/4	1 7/16	4 15/16	2 1/8	3/16	4	5/8	40
3	SPBF22517 X 3	SF517	SR-300	SR-17	3 3/4	7 1/2	9 7/8	11	13	3 1/2	1 1/4	1 1/2	5 3/8	2 1/8	3/16	4	5/8	48
3 3/16	SPBF22518 X 3 3/16	SF518	SR-303	SR-18	4	7 3/4	10 3/8	11 5/8	13 3/4	3 7/8	1 1/2	1 5/8	6 1/4	2 1/8	3/16	4	5/8	49
3 7/16	SPBF22520 X 3 7/16	SF520	SR-307	SR-20	4 1/2	8 11/16	11 5/8	13 1/8	15 1/4	4 3/8	1 11/16	1 3/4	6	2 3/8	3/16	4	3/4	65
3 1/2	SPBF22520 X 3 1/2	SF520	SR-308	SR-20	4 1/2	9	11 5/8	13 1/8	15 1/4	4 3/8	1 11/16	1 3/4	6 1/4	2 3/8	3/16	4	3/4	76
3 11/16	SPBF22522 X 3 11/16	SF522	SR-311	SR-22	4 15/16	9 7/8	12 5/8	14 1/2	16 1/2	4 3/4	2	2	6 1/2	2 3/4	3/16	4	3/4	95
3 15/16	SPBF22522 X 3 15/16	SF522	SR-315	SR-22	4 15/16	9 9/16	12 5/8	14 1/2	16 1/2	4 3/4	2	2	6 3/8	2 3/4	3/16	4	3/4	81
4	SPBF22522 X 4	SF522	SR-400	SR-22	4 15/16	9 7/8	12 5/8	14 1/2	16 1/2	4 3/4	2	2	6 1/2	2 3/4	3/16	4	3/4	95
4 3/16	SPBF22524 X 4 3/16	SF524	SR-403	SR-24	5 1/4	10 1/4	13 1/4	14 1/2	16 1/2	4 3/4	2 1/8	2	7 3/8	2 3/4	3/16	4	3/4	94
4 7/16	SPBF22526 X 4 7/16	SF526	SR-407	SR-26	6	11 9/16	14 5/8	16	18 3/8	5 1/8	2 3/8	2 1/2	8	3 1/4	3/16	4	7/8	137
4 1/2	SPBF22526 X 4 1/2	SF526	SR-408	SR-26	6	11 3/4	14 5/8	16	18 3/8	5 1/8	2 3/8	2 1/2	8	3 1/4	3/16	4	7/8	160
4 15/16	SPBF22528 X 4 15/16	SF528	SR-415	SR-28	6	11 3/4	16	17 1/8	20 1/8	5 7/8	2 3/8	2 1/4	7 3/4	3 3/8	3/16	4	1	159
5	SPBF22528 X 5	SF528	SR-500	SR-28	6	12	16	17 1/8	20 1/8	5 7/8	2 3/8	2 1/4	7 1/2	3 3/8	3/16	4	1	170
5 3/16	SPBF22530 X 5 3/16	SF530	SR-503	SR-30	6 5/16	12 1/2	17	18 1/4	21 1/4	6 1/4	2 1/2	2 1/2	8 3/8	3 3/4	3/16	4	1	189
5 7/16	SPBF22532 X 5 7/16	SF532	SR-507	SR-32	6 11/16	13 5/16	17 3/8	19 1/4	22	6 1/4	2 5/8	1 7/8	8 3/4	3 3/4	3/16	4	1	225
5 1/2	SPBF22532 X 5 1/2	SF532	SR-508	SR-32	6 11/16	13 5/8	17 3/8	19 1/4	22	6 1/4	2 5/8	1 7/8	8 3/4	3 3/4	3/16	4	1	225
5 15/16	SPBF22534 X 5 15/16	SF534	SR-515	SR-34	7 1/16	14 9/16	19 3/8	21 5/8	24 3/4	6 3/4	2 3/4	2	9 3/8	4 1/4	3/16	4	1	300
6	SPBF22534 X 6	SF534	SR-600	SR-34	7 1/16	14 1/2	19 3/8	21 5/8	24 3/4	6 3/4	2 3/4	2	9 5/8	4 1/4	3/16	4	1	300
6 7/16	SPBF22536 X 6 7/16	SF536	SR-607	SR-36	7 1/2	15 1/2	20 7/8	23 5/8	26 3/4	7 1/8	3	2 3/8	9 11/16	4 5/8	3/16	4	1	330
6 1/2	SPBF22536 X 6 1/2	SF536	SR-608	SR-36	7 1/2	15 1/4	20 7/8	23 5/8	26 3/4	7 1/8	3	2 3/8	10	4 5/8	3/16	4	1	355
6 15/16	SPBF22538 X 6 15/16	SF538	SR-615	SR-38	7 7/8	15 11/16	21 5/8	24 3/8	28	7 1/2	3 1/8	2 3/8	10 3/4	4 1/2	3/16	4	1 1/4	375
7	SPBF22538 X 7	SF538	SR-700	SR-38	7 7/8	16 1/8	21 5/8	24 3/8	28	7 1/2	3 1/8	2 3/8	10 3/4	4 1/2	3/16	4	1 1/4	415
7 3/16	SPBF22540 X 7 3/16	SF540	SR-703	SR-40	8 1/4	17 3/16	22 1/2	25	29 1/2	8	3 3/8	2 5/8	10 13/16	5	3/16	4	1 1/4	445
7 1/2	SPBF22544 X 7 1/2	SF544	SR-708	SR-44	9 1/2	19 3/8	24 3/4	27 7/8	32 3/4	8 3/4	3 3/4	2 1/2	12	5 1/4	3/16	4	1 1/2	685
7 15/16	SPBF22544 X 7 15/16	SF544	SR-715	SR-44	9 1/2	19 5/8	24 3/4	27 7/8	32 3/4	8 3/4	3 3/4	2 1/2	11 1/2	5 1/4	3/16	4	1 1/2	615
8	SPBF22544 X 8	SF544	SR-800	SR-44	9 1/2	19 3/8	24 3/4	27 7/8	32 3/4	8 3/4	3 3/4	2 1/2	12	5 1/4	3/16	4	1 1/2	685

REV 2

Browning®

Spherical Roller Bearings

22500 Series

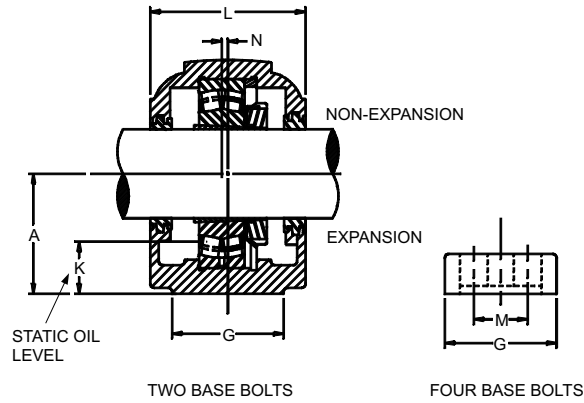
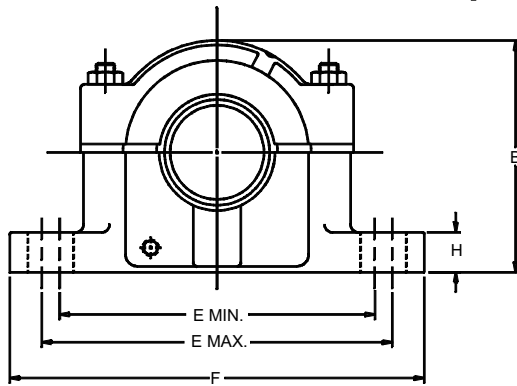
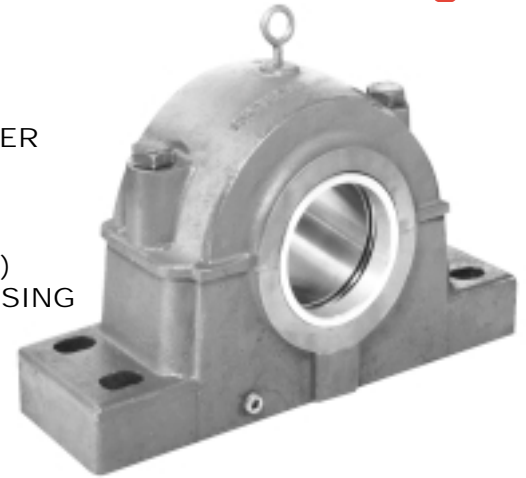
Cast Steel Pillow Blocks

- Lock:** Adapter Mount
- Seal:** Triple Labyrinth
- Housing:** Cast Steel
- Temperatures:** -20° to 200° F
- Self Aligning:** See Page 272
- Fitting:** 1/4 - 28 NF
- Bearing Insert:** 22200 CKW33C3
- Accessories:** Page 143
- Ratings:** Page 151
- Interchange Tables:** Page 162

Expansion and Non-Expansion

- S SPHERICAL ROLLER
- P PILLOW
- B BLOCK
- T TWO BOLT BASE
- (F FOUR BOLT BASE)
- S CAST STEEL HOUSING

- 2 22500
- 2 BEARING SERIES
- 5 ADAPTER MOUNT
- 0 BEARING
- 0 SIZE



PART NUMBERS			DIMENSIONS IN INCHES												
SHAFT SIZE	(1) Complete Pillow Block*	Housing	A	B	E		F	G	H	K	L	M	N	Size	Wt. Lbs.
					MIN.	MAX.									
TWO BASE BOLT TYPE															
2 7/16	SPBTS22515 X 2 7/16	STS515	3 1/4	6 3/8	8 5/8	9 5/8	11 1/4	3 1/8	1 1/8	1 1/4	4 3/4	-	3/16	5/8	30
2 11/16	SPBTS22516 X 2 11/16	STS516	3 1/2	6 7/8	9 5/8	11	13	3 1/2	1 3/16	1 11/16	4 7/8	-	3/16	3/4	37
2 15/16	SPBTS22517 X 2 15/16	STS517	3 3/4	7 1/4	9 7/8	11	13	3 1/2	1 1/4	1 7/16	4 15/16	-	3/16	3/4	40
3 3/16	SPBTS22518 X 3 3/16	STS518	4	7 3/4	10 3/4	11 5/8	13 3/4	3 7/8	1 1/2	1 17/32	6 1/4	-	3/16	3/4	49
3 7/16	SPBTS22520 X 3 7/16	STS520	4 1/2	8 11/16	11 5/8	13 1/8	15 1/4	4 3/8	1 3/4	1 3/4	6	-	3/16	7/8	65
FOUR BASE BOLT TYPE															
2 7/16	SPBFS22515 X 2 7/16	SFS15	3 1/4	6 3/8	8 5/8	9 5/8	11 1/4	3 1/8	1 1/8	1 1/4	4 3/4	1 7/8	3/16	1/2	30
2 11/16	SPBFS22516 X 2 11/16	SFS516	3 1/2	6 7/8	9 5/8	11	13	3 1/2	1 3/16	1 11/32	4 7/8	2 1/8	3/16	5/8	37
2 15/16	SPBFS22517 X2 15/16	SFS517	3 3/4	7 1/4	9 7/8	11	13	3 1/2	1 1/4	1 7/16	4 15/16	2 1/8	3/16	5/8	40
3 3/16	SPBFS22518 X 3 3/16	SFS518	4	7 3/4	10 3/8	11 5/8	13 3/4	3 7/8	1 1/2	1 17/32	6 1/4	2 1/8	3/16	5/8	65
3 7/16	SPBFS22520 X 3 7/16	SFS520	4 1/2	8 11/16	11 5/8	13 1/8	15 1/4	4 3/8	1 3/4	1 3/4	6	2 3/8	3/16	3/4	65
3 15/16	SPBFS22522 X 3 15/16	SFS522	4 15/16	9 9/16	12 5/8	14 1/2	16 1/2	4 3/4	2	1 7/8	6 3/8	2 3/4	3/16	3/4	81
4 3/16	SPBFS22524 X 4 3/16	SFS524	5 1/4	10 1/4	13 1/4	14 1/2	16 1/2	4 3/4	2 1/8	1 15/16	7 3/8	2 3/4	3/16	3/4	94
4 7/16	SPBFS22526 X 4 7/16	SFS526	6	11 9/16	14 5/8	16	18 3/8	5 1/8	2 3/8	2 7/16	8	3 1/4	3/16	7/8	137
4 15/16	SPBFS22528 X 4 15/16	SFS528	6	11 3/4	16	17 1/8	20 1/8	5 7/8	2 3/8	2 1/8	7 3/4	3 3/8	3/16	1	159
5 3/16	SPBFS22530 X 5 3/16	SFS530	6 5/16	12 1/2	17	18 1/4	21 1/4	6 1/4	2 1/2	2 3/16	8 3/8	3 3/4	3/16	1	189
5 7/16	SPBFS22532 X 5 7/16	SFS532	6 11/16	13 5/16	17 3/8	19 1/4	22	6 1/4	2 5/8	2 3/16	8 3/4	3 3/4	3/16	1	225
5 15/16	SPBFS22534 X 5 15/16	SFS534	7 1/16	14 9/16	19 3/8	21 5/8	24 3/4	6 3/4	2 3/4	2 5/16	9 3/8	4 1/4	3/16	1	300
6 7/16	SPBFS22536 X 6 7/16	SFS536	7 1/2	15 1/2	20 7/8	23 5/8	26 3/4	7 1/8	3	2 9/16	9 11/16	4 5/8	3/16	1	330
6 15/16	SPBFS22538 X 6 15/16	SFS538	7 7/8	15 11/16	21 5/8	24 3/8	28	7 1/2	3 1/8	2 5/8	10 3/4	4 1/2	3/16	1 1/4	375
7 3/16	SPBFS22540 X 7 3/16	SFS540	8 1/4	17 3/16	22 1/2	25	29 1/2	8	3 3/8	2 11/16	10 13/16	5	3/16	1 1/4	445
7 15/16	SPBFS22544 X 7/15	SFS544	9 1/2	19 5/8	24 3/4	27 7/8	32 3/4	8 3/4	3 3/4	3 3/8	11 1/2	5 1/4	3/16	1 1/2	615

*Not available from stock - Contact Browning for delivery.

(1) This part number includes all components (housing, bearing, seal rings, stabilizing ring, adapter assembly, locknut and lockwasher) which are required to assemble a complete pillow block. Components are packaged separately. Refer to pages 143-144 for bearing and adapter assemblies.

A stabilizing ring is furnished with each housing. **DO NOT** use for expansion bearing. **NOTE:** Only one non-expansion bearing should be used on a shaft; all others on the same shaft **MUST** be expansion type.

Non-expansion (fixed bearing is offset by "N" amount in relation to center line of housing.

REV 1

Spherical Roller Bearings

22200 Series



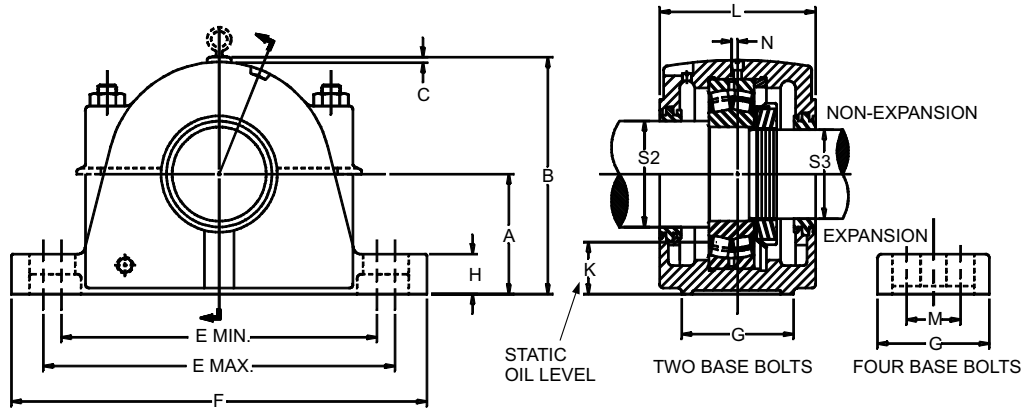
SPHERICAL ROLLER S
PILLOW P
BLOCK B
TWO BOLT BASE T
FOUR BOLT BASE (F)

22000 2
BEARING SERIES 2
CYLINDRICAL MOUNT 2
BEARING 0
SIZE 0

Cast Iron Pillow Blocks

Lock: Cylindrical Mount
Seal: Triple Labyrinth
Housing: Cast Iron
Temperatures: -20°F to 200°F
Self Aligning: See Page 272
Fitting: 1/4 - 28 NF
Bearing Insert: 22200 CW33C3
Accessories: Page 143
Ratings: Page 151
Interchange Tables: Page 162

Expansion and Non-Expansion



SHAFT SIZE		PART NUMBERS					DIMENSIONS IN INCHES																
S2	S3	(1) Complete Pillow Block*	Housing	S2 Seal Rings	S3 Seal Rings	Stabilizing Ring	A	B	C	E		F	G	H	K	L	M	N	Bolt Size	Wt. Lbs.			
							MIN.		MAX.														
TWO BASE BOLT TYPE																							
3 5/8	3	SPBT22216	ST216	SR-310	SR-300	SR-16	3 1/2	7 1/16	3/16	9 5/8	11	13	3 1/2	1 3/8	1 3/8	5 3/8	-	3/16	3/4	43			
3 15/16	3 3/16	SPBT22217	ST217	SRN-315	SRN-303	SR-17	3 3/4	7 1/4	3/16	9 7/8	11	13	3 1/2	1 1/4	1 1/2	4 15/16	-	3/16	3/4	43			
4 1/8	3 3/8	SPBT22218	ST218	SR-402	SR-306	SR-18	4	7 3/4	1/4	10 3/8	11 5/8	13 3/4	3 7/8	1 1/2	1 5/8	6 1/4	-	3/16	3/4	50			
4 1/2	3 13/16	SPBT22220	ST220	SR-408	SR-313	SR-20	4 1/2	8 11/16	1/4	11 5/8	13 1/8	15 1/4	4 3/8	1 3/4	1 3/4	6	-	3/16	7/8	71			
FOUR BASE BOLT TYPE																							
3 5/8	3	SPBF22216	SF216	SR-310	SR-300	SR-16	3 1/2	7 1/16	3/16	9 5/8	11	13	3 1/2	1 3/8	1 3/8	5 3/8	2 1/8	3/16	5/8	43			
3 15/16	3 3/16	SPBF22217	SF217	SRN-315	SRN-303	SR-17	3 3/4	7 1/4	3/16	9 7/8	11	13	3 1/2	1 1/4	1 1/2	4 15/16	2 1/8	3/16	5/8	43			
4 1/8	3 3/8	SPBF22218	SF218	SR-402	SR-306	SR-18	4	7 3/4	1/4	10 3/8	11 5/8	13 3/4	3 7/8	1 1/2	1 5/8	6 1/4	2 1/8	3/16	5/8	50			
4 1/2	3 13/16	SPBF22220	SF220	SR-408	SR-313	SR-20	4 1/2	8 11/16	1/4	11 5/8	13 1/8	15 1/4	4 3/8	1 3/4	1 3/4	6	2 3/8	3/16	3/4	71			
4 7/8	4 3/16	SPBF22222	SF222	SR-414	SR-403	SR-22	4 15/16	9 9/16	1/4	12 5/8	14 1/2	16 1/2	4 3/4	2	2	6 3/8	2 3/4	3/16	3/4	81			
5 5/16	4 9/16	SPBF22224	SF224	SR-505	SR-409	SR-24	5 1/4	10 1/4	1/4	13 1/4	14 1/2	16 1/2	4 3/4	2 1/8	2	7 3/8	2 3/4	3/16	3/4	90			
5 7/8	4 15/16	SPBF22226	SF226	SR-514	SR-415	SR-26	6	11 9/16	1/4	14 5/8	16	18 3/8	5 1/8	2 3/8	2 1/2	8	3 1/4	3/16	7/8	127			
6 1/4	5 5/16	SPBF22228	SF228	SR-604	SR-505	SR-28	6	11 3/4	1/4	16	17 1/8	20 1/8	5 7/8	2 3/8	2 1/4	7 3/4	3 3/8	3/16	1	149			
6 5/8	5 3/4	SPBF22230	SF230	SR-610	SR-512	SR-30	6 5/16	12 1/2	1/4	17	18 1/4	21 1/4	6 1/4	2 1/2	2 1/2	8 3/8	3 3/4	3/16	1	175			
7	6 1/16	SPBF22232	SF232	SR-700	SR-601	SR-32	6 11/16	13 5/16	1/4	17 3/8	19 1/4	22	6 1/4	2 5/8	1 7/8	8 3/4	3 3/4	3/16	1	210			
7 7/16	6 7/16	SPBF22234	SF234	SR-707	SR-607	SR-34	7 1/16	14 9/16	1/4	19 3/8	21 5/8	24 3/4	6 3/4	2 3/4	2	9 3/8	4 1/4	3/16	1	280			
7 13/16	6 7/8	SPBF22236	SF236	SR-713	SR-614	SR-36	7 1/2	15 1/2	3/8	20 7/8	23 5/8	26 3/4	7 1/8	3	2 3/8	9 11/16	4 5/8	3/16	1	305			
8 3/8	7 1/4	SPBF22238	SF238	SR-806	SR-704	SR-38	7 7/8	15 11/16	3/8	21 5/8	24 3/8	28	7 1/2	3 1/8	2 3/8	10 3/4	4 1/2	3/16	1 1/4	350			
8 3/4	7 5/8	SPBF22240	SF240	SR-812	SR-710	SR-40	8 1/4	17 3/16	3/8	22 1/2	25	29 1/2	8	3 3/8	2 5/8	10 13/16	5	3/16	1 1/4	420			
9 9/16	8 5/16	SPBF22244	SF244	SR-909	SR-805	SR-44	9 1/2	19 5/8	3/8	24 3/4	27 7/8	32 3/4	8 3/4	3 3/4	2 1/2	11 1/2	5 1/4	3/16	1 1/2	590			

*Not available from stock - Contact Browning for delivery.

REV 1

(1) This part number includes all components (housing, bearing, seal rings, stabilizing ring, adapter assembly, locknut and lockwasher) which are required to assemble a complete pillow block. Components are packaged separately. Refer to pages 145-146 for bearing and adapter assemblies.

A stabilizing ring is furnished with each housing. **DO NOT** use for expansion bearing. **NOTE:** Only one non-expansion bearing should be used on a shaft; all others on the same shaft **MUST** be expansion type.

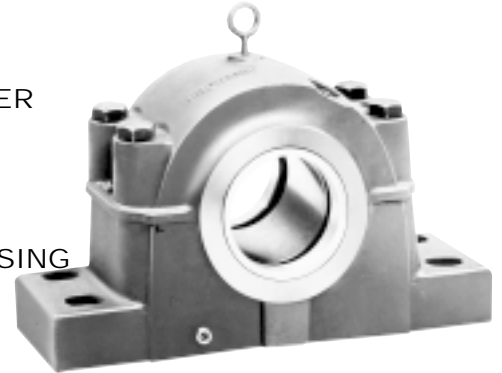
Non-expansion (fixed bearing is offset by "N" amount in relation to center line of housing.

22200 Series

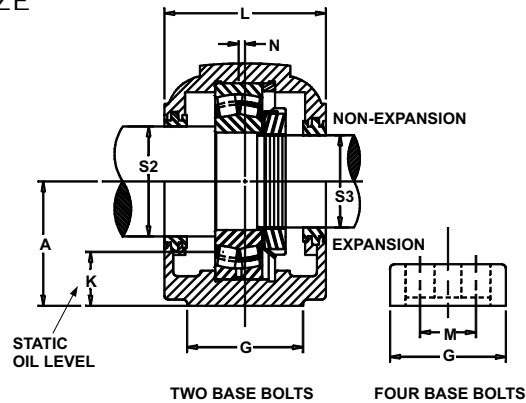
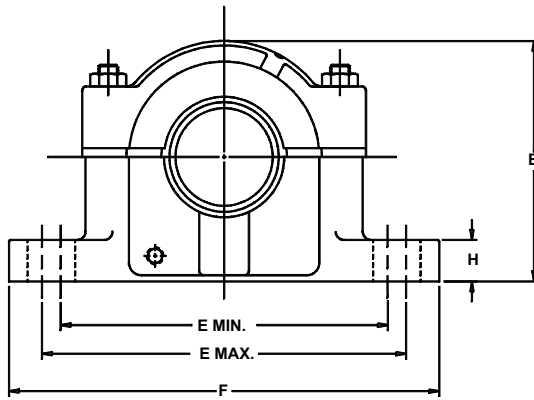
Cast Steel Pillow Blocks

Lock: Cylindrical Mount
Seal: Triple Labyrinth
Housing: Cast Steel
Temperatures: - 20°F to 200° F
Self Aligning: See Page 272
Fitting: 1/4-28 NF
Bearing Insert: 22200 CW33C3
Accessories: Page 145
Ratings: Page 151
Interchange Tables: Page 162

- S SPHERICAL ROLLER
 - P PILLOW
 - B BLOCK
 - T TWO BOLT BASE
 - (F) FOUR BOLT BASE
 - S CAST STEEL HOUSING
-
- 2 22200
 - 2 BEARING SERIES
 - 2 CYLINDRICAL MOUNT
 - 0 BEARING
 - 0 SIZE



Expansion and Non-Expansion



SHAFT SIZE				DIMENSIONS IN INCHES												
S2	S3	(1) Complete Pillow Block*	Housing only with Stabilizing Ring	A	B	E		F	G	H	K	L	M	N	Bolt Size	Wt. Lbs.
						MIN.	MAX.									
TWO BASE BOLT TYPE																
3 5/8	3	SPBTS22216	STS216	3 1/2	6 7/8	9 5/8	11	13	3 1/2	1 3/8	1 11/32	4 7/8	-	3/16	3/4	33
3 15/16	3 3/16	SPBTS22217	STS217	3 3/4	7 1/4	9 7/8	11	13	3 1/2	1 1/4	1 7/16	4 15/16	-	3/16	3/4	43
4 1/8	3 3/8	SPBTS22218	STS218	4	7 3/4	10 3/8	11 5/8	13 3/4	3 7/8	1 1/2	1 17/32	6 1/4	-	3/16	3/4	50
4 1/2	3 13/16	SPBTS22220	STS220	4 1/2	8 11/16	11 5/8	13 1/8	15 1/4	4 3/8	1 3/4	1 3/4	6	-	3/16	7/8	71
FOUR BASE BOLT TYPE																
3 5/8	3	SPBFS22216	SFS216	3 1/2	6 7/8	9 5/8	11	13	3 1/2	3 3/8	1 11/32	4 7/8	2 1/8	3/16	5/8	33
3 15/16	3 3/16	SPBFS22217	SFS217	3 3/4	7 1/4	9 7/8	11	13	3 1/2	1 1/4	1 7/16	4 15/16	2 1/8	3/16	5/8	43
4 1/8	3 3/8	SPBFS22218	SFS218	4	7 3/4	10 3/8	11 5/8	13 3/4	3 7/8	1 1/2	1 17/32	6 1/4	2 1/8	3/16	5/8	50
4 1/2	3 13/16	SPBFS22220	SFS220	4 1/2	8 11/16	11 5/8	13 1/8	15 1/4	4 3/8	1 3/4	1 3/4	6	2 3/8	3/16	3/4	71
4 7/8	4 3/16	SPBFS22222	SFS222	4 15/16	9 9/16	12 5/8	14 1/2	16 1/2	4 3/4	2	1 7/8	6 3/8	2 3/4	3/16	3/4	81
5 5/16	4 9/16	SPBFS22224	SFS224	5 1/4	10 1/4	13 1/4	14 1/2	16 1/2	4 3/4	2 1/8	1 15/16	7 3/8	2 3/4	3/16	3/4	90
5 7/8	4 15/16	SPBFS22226	SFS226	6	11 9/16	14 5/8	16	18 3/8	5 1/8	2 3/8	2 7/16	8	3 1/4	3/16	7/8	127
6 1/4	5 5/16	SPBFS22228	SFS228	6	11 3/4	16	17 1/8	20 1/8	5 7/8	2 3/8	2 1/8	7 3/4	3 3/8	3/16	1	149
6 5/8	5 3/4	SPBFS22230	SFS230	6 5/16	12 1/2	17	18 1/4	21 1/4	6 1/4	2 1/2	2 3/16	8 3/8	3 3/4	3/16	1	175
7	6 1/16	SPBFS22232	SFS232	6 11/16	13 5/16	17 3/8	19 1/4	22	6 1/4	2 5/8	2 3/16	8 3/4	3 3/4	3/16	1	210
7 7/16	6 7/16	SPBFS22234	SFS234	7 1/16	14 9/16	19 3/8	21 5/8	24 3/4	6 3/4	2 3/4	2 5/16	9 3/8	4 1/4	3/16	1	280
7 13/16	6 7/8	SPBFS22236	SFS236	7 1/2	15 1/2	20 7/8	23 5/8	26 3/4	7 1/8	3	2 9/16	9 11/16	4 5/8	3/16	1	305
8 3/8	7 1/4	SPBFS22238	SFS238	7 7/8	15 11/16	21 5/8	24 3/8	28	7 1/2	3 1/8	2 5/8	10 3/4	4 1/2	3/16	1 1/4	350
8 3/4	7 5/8	SPBFS22240	SFS240	8 1/4	17 3/16	22 1/2	25	29 1/2	8	3 3/8	2 11/16	10 13/16	5	3/16	1 1/4	420
9 9/16	8 5/16	SPBFS22244	SFS244	9 1/2	19 5/8	24 3/4	27 7/8	32 3/4	8 3/4	3 3/4	3 3/8	11 1/2	5 1/4	3/16	1 1/2	590

*Not available from stock - Contact Browning for delivery.

(1) This part number includes all components (housing, bearing, seal rings, stabilizing ring, adapter assembly, locknut and lockwasher) which are required to assemble a complete pillow block. Components are packaged separately.

Refer to pages 145-146 for bearing and adapter assemblies.

A stabilizing ring is furnished with each housing. **DO NOT** use for expansion bearing. **NOTE:** Only one non-expansion bearing should be used on a shaft; all others on the same shaft **MUST** be expansion type.

Non-expansion (fixed bearing is offset by "N" amount in relation to center line of housing.

REV 0

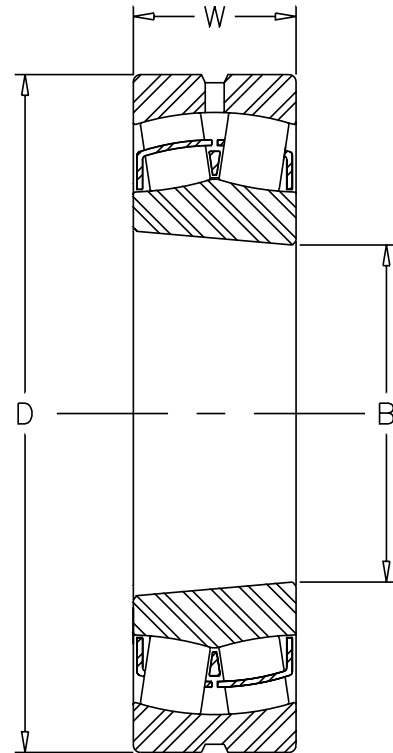
22200 Adapter Mount Bearings

22200CKW33C3



22200 SERIES 2
 ADAPTER 2
 MOUNT 2
 BEARINGS 0
 0

CENTER GUIDANCE C
 1-12 TAPER K
 LUBE W
 HOLES 3
 AND GROOVE 3
 ABMA C
 INTERNAL CLEARANCE 3

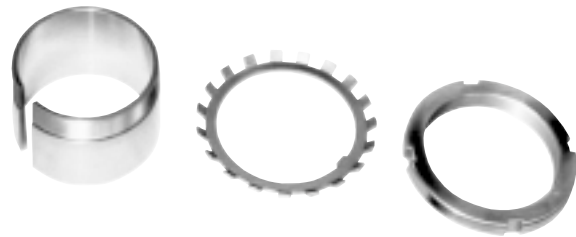
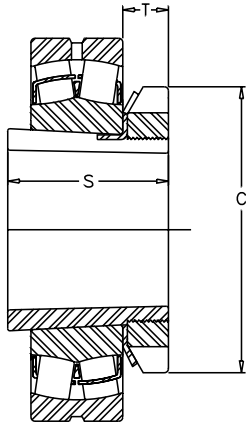


Shaft Size	Bearing Part Number	B		D		W		Wt. Lbs.
		mm	inches	mm	inches	mm	inches	
2 7/16	22215CKW33C3	75	2.9528	130	5.1181	31	1.2205	3.9
2 1/2	22215CKW33C3	75	2.9528	130	5.1181	31	1.2205	3.9
2 11/16	22216CKW33C3	80	3.1496	140	5.5118	33	1.2992	4.6
2 3/4	22216CKW33C3	80	3.1496	140	5.5118	33	1.2992	4.6
2 15/16	22217CKW33C3	85	3.3465	150	5.9055	36	1.4173	5.9
3	22217CKW33C3	85	3.3465	150	5.9055	36	1.4173	5.9
3 3/16	22218CKW33C3	90	3.5433	160	6.2992	40	1.5748	7.5
3 7/16	22220CKW33C3	100	3.9370	180	7.0866	46	1.8110	11.1
3 1/2	22220CKW33C3	100	3.9370	180	7.0866	46	1.8110	11.1
3 11/16	22222CKW33C3	110	4.3307	200	7.8740	53	2.0866	15.9
3 15/16	22222CKW33C3	110	4.3307	200	7.8740	53	2.0866	15.9
4	22222CKW33C3	110	4.3307	200	7.8740	53	2.0866	15.9
4 3/16	22224CKW33C3	120	4.7244	215	8.4646	58	2.2835	19.8
4 7/16	22226CKW33C3	130	5.1181	230	9.0551	64	2.5197	24.8
4 1/2	22226CKW33C3	130	5.1181	230	9.0551	64	2.5197	24.8
4 15/16	22228CKW33C3	140	5.5118	250	9.8425	68	2.6772	31.3
5	22228CKW33C3	140	5.5118	250	9.8425	68	2.6772	31.3
5 3/16	22230CKW33C3	150	5.9055	270	10.6299	73	2.8740	39.5
5 7/16	22232CKW33C3	160	6.2992	290	11.4173	80	3.1496	50.2
5 1/2	22232CKW33C3	160	6.2992	290	11.4173	80	3.1496	50.2
5 15/16	22234CKW33C3	170	6.6929	310	12.2047	86	3.3858	62.0
6	22234CKW33C3	170	6.6929	310	12.2047	86	3.3858	62.0
6 7/16	22236CKW33C3	180	7.0866	320	12.5984	86	3.3858	64.8
6 1/2	22236CKW33C3	180	7.0866	320	12.5984	86	3.3858	64.8
6 15/16	22238CKW33C3	190	7.4803	340	13.3858	92	3.6220	78.5
7	22238CKW33C3	190	7.4803	340	13.3858	92	3.6220	78.5
7 3/16	22240CKW33C3	200	7.8740	360	14.1732	98	3.8583	94.0
7 1/2	22244CKW33C3	220	8.6614	400	15.7480	108	4.2520	130.0
7 15/16	22244CKW33C3	220	8.6614	400	15.7480	108	4.2520	130.0
8	22244CKW33C3	220	8.6614	400	15.7480	108	4.2520	130.0

REV 1

SNW

S SLEEVE
 N NUT
 W WASHER



Shaft Size*	Adapter Part Number	C	S	T	Wt. Lbs.
2 7/16	SNW15 X 2 7/16	3 7/8	2.296	43/64	2.3
2 1/2	SNW15 X 2 1/2	3 7/8	2.296	43/64	2.2
2 11/16	SNW16 X 2 11/16	4 5/32	2.376	43/64	2.4
2 3/4	SNW16 X 2 3/4	4 5/32	2.376	43/64	2.3
2 15/16	SNW17 X 2 15/16	4 13/32	2.486	45/64	2.9
3	SNW17 X 3	4 13/32	2.486	45/64	2.8
3 3/16	SNW18 X 3 3/16	4 21/32	2.646	25/32	3.1
3 7/16	SNW20 X 3 7/16	5 3/16	2.869	27/32	4.4
3 1/2	SNW20 X 3 1/2	5 3/16	2.869	27/32	4.2
3 11/16	SNW22 X 3 11/16	5 23/32	3.206	29/32	5.0
3 15/16	SNW22 X 3 15/16	5 23/32	3.206	29/32	4.8
4	SNW22 X 4	5 23/32	3.206	29/32	4.7
4 3/16	SNW24 X 4 3/16	6 1/8	3.466	15/16	6.7
4 7/16	SNW26 X 4 7/16	6 3/4	3.762	1	9.7
4 1/2	SNW26 X 4 1/2	6 3/4	3.762	1	9.5
4 15/16	SNW28 X 4 15/16	7 3/32	3.981	1 1/16	10.3
5	SNW28 X 5	7 3/32	3.981	1 1/16	10.1
5 3/16	SNW30 X 5 3/16	7 11/16	4.241	1 1/8	15.8
5 7/16	SNW32 X 5 7/16	8 1/16	4.578	1 3/16	15.6
5 1/2	SNW32 X 5 1/2	8 1/16	4.578	1 3/16	15.4
5 15/16	SNW34 X 5 15/16	8 21/32	4.847	1 7/32	19.4
6	SNW34 X 6	8 21/32	4.847	1 7/32	19.2
6 7/16	SNW36 X 6 7/16	9 1/16	5.038	1 1/4	20.5
6 1/2	SNW36 X 6 1/2	9 1/16	5.038	1 1/4	20.2
6 15/16	SNW38 X 6 15/16	9 15/32	5.261	1 9/32	23.4
7	SNW38 X 7	9 15/32	5.261	1 9/32	23.2
7 3/16	SNW40 X 7 3/16	9 27/32	5.484	1 11/32	30.7
7 1/2	SNW44 X 7 1/2	11	5.901	1 13/32	33.0
7 15/16	SNW44 X 7 15/16	11	5.901	1 13/32	32.3
8	SNW44 X 8	11	5.901	1 13/32	32.0

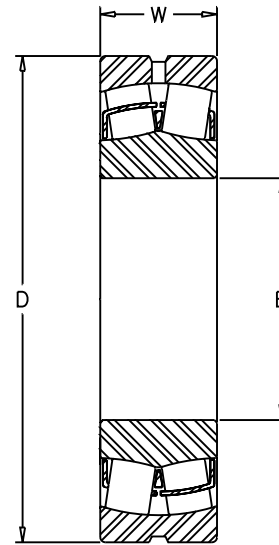
*Recommended shaft tolerances for adapter mounting:
 2 7/16" +.000, -.003 4" - 6" +.000, -.005
 2 1/2" - 4 incl. +.000, -.004 6" - 8" incl. +.000, -.006

22200 Cylindrical Bore Bearings

22200CW33C3

22200 2
 SERIES 2
 CYLINDRICAL 2
 MOUNT 0
 BEARING 0

CENTER GUIDANCE C
 LUBE HOLES W
 AND 3
 GROOVE 3
 ABMA C
 INTERNAL CLEARANCE 3



CYLINDRICAL BORE BEARINGS - 222 SERIES									
SHAFT SIZE		BEARING PART NO.	B		D		W		Wt. Lbs.
S2	S3		MM	INCHES	MM	INCHES	MM	INCHES	
3 5/8	3	22216CW33C3	80	3.1496	140	5.5118	33	1.2992	4.5
3 15/16	3 3/16	22217CW33C3	85	3.3465	150	5.9055	36	1.4173	5.6
4 1/8	3 3/8	22218CW33C3	90	3.5433	160	6.2992	40	1.5748	7.2
4 1/2	3 13/16	22220CW33C3	100	3.9370	180	7.0866	46	1.8110	10.5
4 7/8	4 3/16	22222CW33C3	110	4.3307	200	7.8740	53	2.0866	15.5
5 5/16	4 9/16	22224CW33C3	120	4.7244	215	8.4646	58	2.2835	19
5 7/8	4 15/16	22226CW33C3	130	5.1181	230	9.0551	64	2.5197	24.5
6 1/4	5 5/16	22228CW33C3	140	5.5118	250	9.8425	68	2.6772	31.0
6 5/8	5 3/4	22230CW33C3	150	5.9055	270	10.6299	73	2.8740	39.5
7	6 1/16	22232CW33C3	160	6.2992	290	11.4173	80	3.1496	49.5
7 7/16	6 7/16	22234CW33C3	170	6.6929	310	12.2047	86	3.3858	63.0
7 13/16	6 7/8	22236CW33C3	180	7.0866	320	12.5984	86	3.3858	65.0
8 3/8	7 1/4	22238CW33C3	190	7.4803	340	13.3858	92	3.6220	80.5
8 3/4	7 5/8	22240CW33C3	200	7.7840	360	14.1732	98	3.8583	96.0
9 9/16	8 5/16	22244CW33C3	220	8.6614	400	15.7480	108	4.2520	135

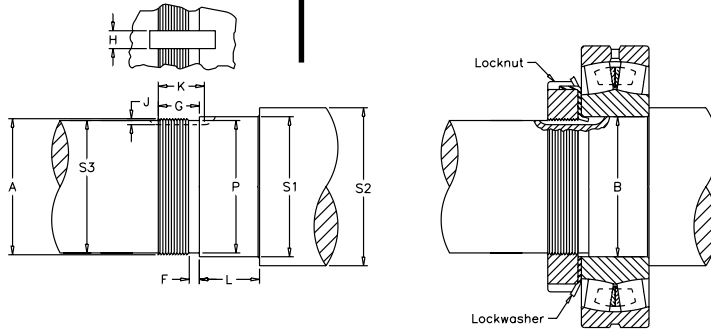
REV 1



22200 CYLINDRICAL BORE LOCKNUT / WASHER

ANW

A PACKAGE OF
N LOCKNUT
W WASHER



LOCKNUT/LOCKWASHER PACKAGES and SHAFT DIMENSIONS

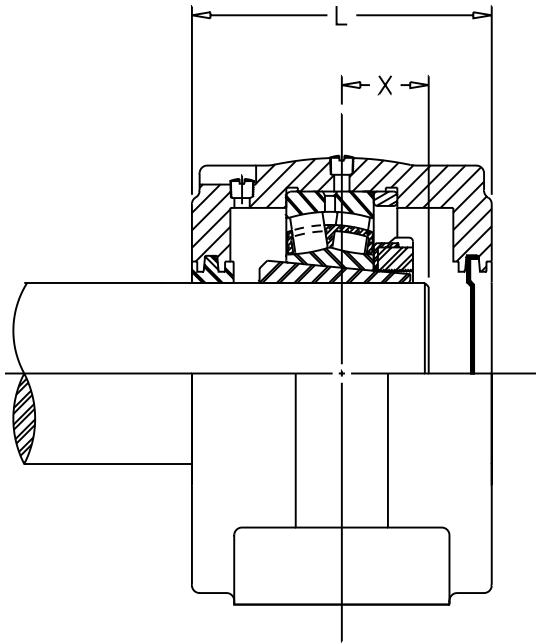
Bearing Size	Locknut and Lockwasher Package	B Bearing Bore		Keyway			Threads Per Inch	F Thread Relief +1/64" -0"	G Thread Length + 1/64" -0"	L Bearing Seat +0" -1/64"	P Thread Relief Dia. + .010"
		MM	INCHES	J Depth + 1/64" -0"	H Width + 1/64" -0"	K Full Depth Length					
16	AN16/W16 Pkg.	80	3.1496	1/8	3/8	15/16	12	5/32	11/16	1 9/32	3 1/32
17	AN17/W17 Pkg.	85	3.3465	1/8	3/8	31/32	12	5/32	23/32	1 13/32	3 13/64
18	AN18/W18 Pkg.	90	3.5433	5/32	3/8	1 1/16	12	5/32	13/16	1 9/16	3 25/64
20	AN20/W20 Pkg.	100	3.9370	5/32	3/8	1 3/16	12	5/32	7/8	1 25/32	3 25/32
22	AN22/W22 Pkg.	110	4.3307	3/16	3/8	1 17/32	12	5/32	29/32	2 1/16	4 3/16
24	AN24/W24 Pkg.	120	4.7244	3/16	3/8	1 1/4	12	5/32	15/16	2 1/4	4 37/64
26	AN26/W26 Pkg.	130	5.1181	3/16	1/2	1 5/16	12	5/32	1	2 1/2	4 31/32
28	AN28/W28 Pkg.	140	5.5118	3/16	5/8	1 3/8	12	5/32	1 1/16	2 21/32	5 23/64
30	AN30/W30 Pkg.	150	5.9055	7/32	5/8	1 1/2	12	5/32	1 1/8	2 27/32	5 3/4
32	AN32/W32 Pkg.	160	6.2992	15/64	5/8	1 9/16	8	1/4	1 3/16	3 1/8	6 3/32
34	AN34/W34 Pkg.	170	6.6929	15/16	3/4	1 19/32	8	1/4	1 7/32	3 11/32	6 15/32
36	AN36/W36 Pkg.	180	7.0866	15/64	3/4	1 5/8	8	1/4	1 1/4	3 11/32	6 7/8
38	AN38/W38 Pkg.	190	7.4803	15/64	3/4	1 21/32	8	1/4	1 9/32	3 19/32	7 9/32
40	AN40/W40 Pkg.	200	7.8740	15/64	7/8	1 23/32	8	1/4	1 11/32	3 13/16	7 21/32
44	AN44/W44 Pkg.	220	8.6614	3/8	1 1/16	1 9/16	8	1/4	1 3/8	4 7/32	8 7/16

Bearing Size	THREAD DIAMETER					SHAFT DIAMETER						
	MAJOR A		PITCH		MINOR	S 1 Bearing Seat		S 2 Backing Shoulder		S 3 Shaft Extension		Shaft Fillet Max.
	MAX.	MIN.	MAX.	MIN.	MAX.	MIN.	MAX.	MIN.	MAX.	MIN.		
16	3.137	3.1258	3.0829	3.0770	3.0348	3.1511	3.1504	3.625	3.621	3.000	2.996	.079
17	3.340	3.3288	3.2859	3.2800	3.2378	3.3484	3.3475	3.938	3.934	3.188	3.184	.079
18	3.527	3.5158	3.4729	3.4655	3.4248	3.5452	3.5443	4.125	4.120	3.375	3.371	.079
20	3.918	3.9068	3.8639	3.8565	3.8158	3.9389	3.9380	4.500	4.495	3.813	3.809	.079
22	4.325	4.3138	4.2709	4.2626	4.2228	4.3332	4.3323	4.875	4.870	4.188	4.183	.079
24	4.716	4.7048	4.6619	4.6536	4.6138	4.7269	4.7260	5.313	5.308	4.563	4.558	.079
26	5.106	5.0948	5.0519	5.0436	5.0038	5.1209	5.1199	5.875	5.870	4.938	4.933	.098
28	5.497	5.4858	5.4429	5.4346	5.3948	5.5146	5.5136	6.250	6.244	5.313	5.308	.098
30	5.888	5.8768	5.8339	5.8256	5.7858	5.9090	5.9080	6.625	6.619	5.750	5.745	.098
32	6.284	6.2688	6.2028	6.1937	6.1306	6.3027	6.3017	7.000	6.994	6.063	6.057	.098
34	6.659	6.6438	6.5778	6.5687	6.5056	6.6964	6.6954	7.438	7.432	6.438	6.432	.118
36	7.066	7.0508	6.9848	6.9757	6.9126	7.0901	7.0891	7.813	7.807	6.875	6.869	.118
38	7.472	7.4568	7.3908	7.3817	7.3186	7.4845	7.4833	8.375	8.368	7.250	7.244	.118
40	7.847	7.8318	7.7658	7.7544	7.6936	7.8742	7.8770	8.750	8.743	7.625	7.619	.118
44	8.628	8.6128	8.5468	8.5347	8.4746	8.6662	8.6644	9.563	9.556	8.313	8.306	.118

REV 1



22500 TACONITE SEALS & ENDCOVERS



END E
COVERS C

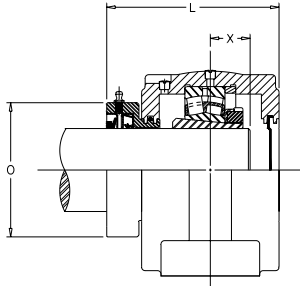
22500/22200 EC END COVERS

* Part Number	Dim. L
SPBT22515 X 2 7/16 EC	4.750
SPBT22515 X 2 1/2 EC	4.750
SPBT22516 X 2 11/16 EC	5.375
SPBT22516 X 2 3/4 EC	5.375
SPBT22517 X 2 15/16 EC	5.375
SPBT22517 X 3 EC	5.375
SPBT22518 X3 3/16 EC	6.250
SPBT22520 X 3 7/16 EC	6.000
SPBT22520 X3 1/2 EC	6.250
SPBF22515 X 2 7/16 EC	4.750
SPBF22515 X 2 1/2 EC	4.750
SPBF22516 X 2 11/16 EC	5.375
SPBF22516 X 2 3/4 EC	5.375
SPBF22517 X 2 15/16 EC	5.375
SPBF22517 X 3 EC	5.375
SPBF22518 X 3 3/16 EC	6.250
SPBF22520 X 3 7/16 EC	6.000
SPBF22520 X 3 1/2 EC	6.250
SPBF22522 X 3 11/16 EC	6.500
SPBF22522 X 3 15/16 EC	6.500
SPBF22522 X 4 EC	6.500
SPBF22524 X 4 3/16 EC	7.375
SPBF22526 X 4 7/16 EC	8.000
SPBF22526 X 4 1/2 EC	8.000
SPBF22528 X 4 15/16 EC	7.500
SPBF22528 X 5 EC	7.500
SPBF22530 X 5 3/16 EC	8.375
SPBF22532 X 5 7/16 EC	8.750
SPBF22532 X 5 1/2 EC	8.750
SPBF22534 X 5 15/16 EC	9.625
SPBF22534 X 6 EC	9.625
SPBF22536 X 6 7/16 EC	10.000
SPBF22536 X 6 1/2 EC	10.000
SPBF22538 X 6 15/16 EC	10.750
SPBF22538 X 7 EC	10.750
SPBF22540 X 7 3/16 EC	11.250
SPBF22544 X 7 1/2 EC	12.000
SPBF22544 X 7 15/16 EC	12.000
SPBF22544 X 8 EC	12.000
SPBF22544 X 8 EC	12.000

End Cover Part No.	For use with Housing Part No.	
	22500 Series	22200 Series
EC-15	ST515	-
	SF515	-
EC-16	ST516	-
	SF516	-
EC-17	ST517	ST216
	SF517	SF216
EC-18	ST518	ST218
	SF518	SF218
EC-20	ST520	-
	SF520	-
EC-22	SF522	-
	SF524	SF222
EC-26	SF526	SF224
E-28	SF528	SF226
EC-30	SF530	SF228
EC-32	SF532	-
EC-34	SF534	SF232
EC-36	SF536	SF234
EC-38	SF538	SF236
EC-40	SF540	SF238
EC-44	SF544	-

22500 Taconite & End Cover Combinations

TE



E END COVER
C AND ONE STANDARD LABRINTH SEAL

T TACONITE
E AND END COVER

T TACONITE
C SEALS

* Part Number	DIMENSIONS		* Part Number	DIMENSIONS	
	L	O		L	O
SPBT22516 X 2 7/16 TE	5 13/16	3 7/8	SPBF22522 X 3 15/16 TE	7 9/16	5 3/4
SPBT22516 X 2 11/16 TE	6 7/16	4 1/2	SPBF22524 X 4 3/16 TE	8 1/2	6
SPBT22517 X 2 15/16 TE	6 7/16	4 3/4	SPBF22526 X 4 7/16 TE	9 3/16	6 1/4
SPBT22518 X 3 3/16 TE	6 13/16	5	SPBF22528 X 4 15/16 TE	8 3/4	6 3/4
SPBT22520 X 3 7/16 TE	7 5/16	5 1/4	SPBF22532 X 5 7/16 TE	10	7 3/8
SPBF22515 X 2 7/16 TE	5 13/16	3 7/8	SPBF22534 X 5 15/16 TE	10 3/4	7 3/4
SPBF22516 X 2 11/16 TE	6 7/16	4 1/2	SPBF22536 X 6 7/16 TE	11 3/16	8 1/4
SPBF22517 X 2 15/16 TE	6 7/16	4 3/4	SPBF22538 X 6 15/16 TE	12 3/16	8 7/8
SPBF22518 X 3 3/16 TE	6 13/16	5	SPBF22544 X 7 15/16 TE	13 7/16	9 7/8
SPBF22520 X 3 7/16 TE	7 5/16	5 1/4			

Components included - When ordering part number SPBT22515 X 2 7/16 TE, for example, all of the following*components are furnished:

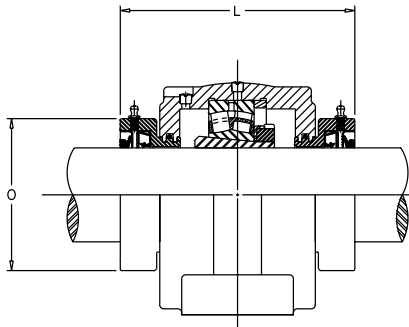
1 - ST515 Housing
1 - SNW x 2 7/16 Adapter assembly
1 - EC15 End cover

1 - 2215CWRK33C3 Bearing
1 - TC515207 Taconite Seal

Components are packaged individually.

* Not available from stock - contact Browning for delivery.

TC



* Part Number	DIMENSIONS		* Part Number	DIMENSIONS	
	L	O		L	O
SPBT22515 X 2 7/16 TC	6 7/8	3 7/8	SPBF22522 X 3 15/16 TC	8 11/16	5 3/4
SPBT22516 X 2 11/16 TC	7 1/2	4 1/2	SPBF22524 X 4 3/16 TC	9 11/16	6
SPBT22517 X 2 15/16 TC	7 1/2	4 3/4	SPBF22526 X 4 7/16 TC	10 7/16	6 1/4
SPBT22518 X 3 3/16 TC	7 15/16	5	SPBF22528 X 4 15/16 TC	10 1/16	6 3/4
SPBT22520 X 3 7/16 TC	8 7/16	5 1/4	SPBF22532 X 5 7/16 TC	11 5/16	7 3/8
SPBF22515 X 2 7/16 TC	6 7/8	3 7/8	SPBF22534 X 5 15/16 TC	11 15/16	7 3/4
SPBF22516 X 2 11/16 TC	7 1/2	4 1/2	SPBF22536 X 6 7/16 TC	12 7/16	8 1/4
SPBF22517 X 2 15/16 TC	7 1/2	4 3/4	SPBF22538 X 6 15/16 TC	13 11/16	8 7/8
SPBF22518 X 3 3/16 TC	7 15/16	5	SPBF22544 X 7 15/16 TC	14 15/16	9 7/8
SPBF22520 X 3 7/16 TC	8 7/16	5 1/4			

Components included - When ordering part number SPBT22515 X 2 7/16 TE, for example, all of the following components are furnished:

1 - ST515 Housing
1 - SNW x 2 7/16 Adapter assembly
1 - TC515207 Taconite Seal

1 - 22215CWRK33C3 Bearing
1 - TC515207 Taconite Seal

Components are packaged individually.

* Not available from stock - contact Browning for delivery.

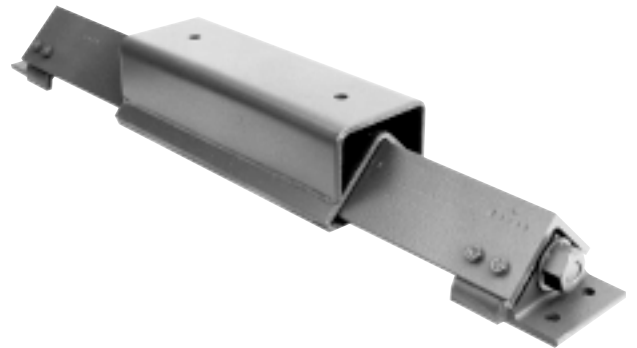
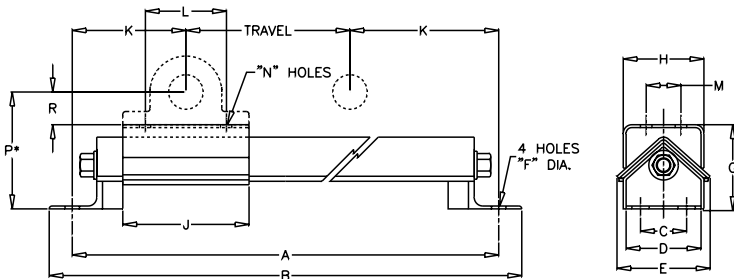
REV 1

Browning®

22200 Series

T2000-2 BOLT

TAKE-UP FRAME T
 22200 2
 SPHERICAL 0
 BEARING 0
 BEARING SERIES 0
 SHAFT DIA CODE A
 TWO BOLT MOUNTINGS 2

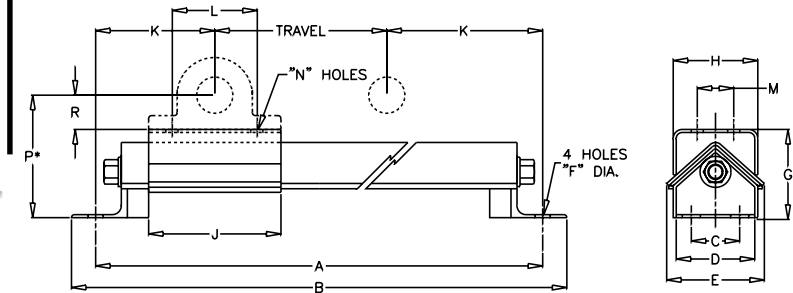
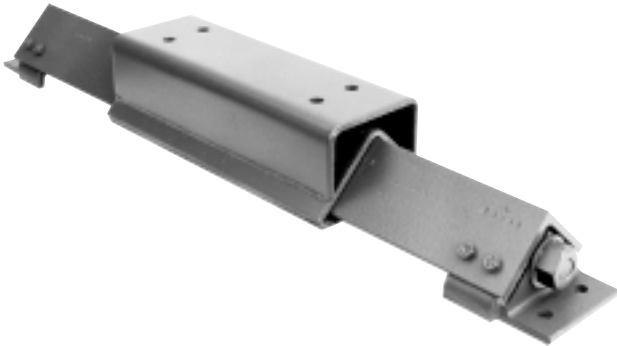


SHAFT DIA. IN	FRAME PART NO.	TRAVEL	Dimensions in Inches													N		UNIT WT.
			A	B	C	D	E	F	G	H	J	K	L	M	No.	Dia.		
1 7/16	12T2000A2	12	29	31	2 1/2	4 1/2	6 3/16	11/16	5 1/4	4	11	8 1/2	6 5/8	0	2	9/16	55	
	18T2000A2	18	35	37	2 1/2	4 1/2	6 3/16	11/16	5 1/4	4	11	8 1/2	6 5/8	0	2	9/16	60	
	24T2000A2	24	41	43	2 1/2	4 1/2	6 3/16	11/16	5 1/4	4	11	8 1/2	6 5/8	0	2	9/16	65	
	30T2000A2	30	47	49	2 1/2	4 1/2	6 3/16	11/16	5 1/4	4	11	8 1/2	6 5/8	0	2	9/16	69	
	36T2000A2	36	53	55	2 1/2	4 1/2	6 3/16	11/16	5 1/4	4	11	8 1/2	6 5/8	0	2	9/16	75	
1 11/16	12T2000B2	12	29	31	2 1/2	4 1/2	6 3/16	11/16	5 1/4	4	11	8 1/2	6 3/4	0	2	9/16	55	
	18T2000B2	18	35	37	2 1/2	4 1/2	6 3/16	11/16	5 1/4	4	11	8 1/2	6 3/4	0	2	9/16	60	
	24T2000B2	24	41	43	2 1/2	4 1/2	6 3/16	11/16	5 1/4	4	11	8 1/2	6 3/4	0	2	9/16	65	
	30T2000B2	30	47	49	2 1/2	4 1/2	6 3/16	11/16	5 1/4	4	11	8 1/2	6 3/4	0	2	9/16	69	
	36T2000B2	36	53	55	2 1/2	4 1/2	6 3/16	11/16	5 1/4	4	11	8 1/2	6 3/4	0	2	9/16	75	
1 15/16	12T2000C2	12	29	31	2 1/2	4 1/2	6 3/16	11/16	5 1/4	4	11	8 1/2	7 5/8	0	2	11/16	55	
	18T2000C2	18	35	37	2 1/2	4 1/2	6 3/16	11/16	5 1/4	4	11	8 1/2	7 5/8	0	2	11/16	60	
	24T2000C2	24	41	43	2 1/2	4 1/2	6 3/16	11/16	5 1/4	4	11	8 1/2	7 5/8	0	2	11/16	65	
	30T2000C2	30	47	49	2 1/2	4 1/2	6 3/16	11/16	5 1/4	4	11	8 1/2	7 5/8	0	2	11/16	69	
	36T2000C2	36	53	55	2 1/2	4 1/2	6 3/16	11/16	5 1/4	4	11	8 1/2	7 5/8	0	2	11/16	75	
2 3/16	18T2000D2	18	38 3/4	41 1/4	3	5 1/8	7 1/16	11/16	6 1/4	4 3/4	13 1/4	10 3/8	8 7/8	0	2	3/4	86	
	24T2000D2	24	44 3/4	47 1/4	3	5 1/8	7 1/16	11/16	6 1/4	4 3/4	13 1/4	10 3/8	8 7/8	0	2	3/4	88	
	30T2000D2	30	50 3/4	53 1/4	3	5 1/8	7 1/16	11/16	6 1/4	4 3/4	13 1/4	10 3/8	8 7/8	0	2	3/4	90	
	36T2000D2	36	56 3/4	59 1/4	3	5 1/8	7 1/16	11/16	6 1/4	4 3/4	13 1/4	10 3/8	8 7/8	0	2	3/4	96	
	2 7/16	18T2000E2	18	38 3/4	41 1/4	3	5 1/8	7 1/16	11/16	6 1/4	4 3/4	13 1/4	10 3/8	8 7/8	0	2	3/4	86
24T2000E2		24	44 3/4	47 1/4	3	5 1/8	7 1/16	11/16	6 1/4	4 3/4	13 1/4	10 3/8	8 7/8	0	2	3/4	88	
30T2000E2		30	50 3/4	53 1/4	3	5 1/8	7 1/16	11/16	6 1/4	4 3/4	13 1/4	10 3/8	8 7/8	0	2	3/4	90	
36T2000E2		36	56 3/4	59 1/4	3	5 1/8	7 1/16	11/16	6 1/4	4 3/4	13 1/4	10 3/8	8 7/8	0	2	3/4	96	
2 11/16		18T2000F2	18	41 1/2	44 1/4	3	6	8 5/8	13/16	7	5	14 1/4	11 3/4	10 7/16	0	2	7/8	138
	24T2000F2	24	47 1/2	50 1/4	3	6	8 5/8	13/16	7	5	14 1/4	11 3/4	10 7/16	0	2	7/8	148	
	30T2000F2	30	53 1/2	56 1/4	3	6	8 5/8	13/16	7	5	14 1/4	11 3/4	10 7/16	0	2	7/8	155	
	36T2000F2	36	59 1/2	62 1/4	3	6	8 5/8	13/16	7	5	14 1/4	11 3/4	10 7/16	0	2	7/8	168	
	48T2000F2	48	71 1/2	74 1/4	3	6	8 5/8	13/16	7	5	14 1/4	11 3/4	10 7/16	0	2	7/8	185	
2 15/16	18T2000G2	18	41 1/2	44 1/4	3	6	8 5/8	13/16	7	5	14 1/4	11 3/4	10 7/16	0	2	7/8	138	
	24T2000G2	24	47 1/2	50 1/4	3	6	8 5/8	13/16	7	5	14 1/4	11 3/4	10 7/16	0	2	7/8	148	
	30T2000G2	30	53 1/2	56 1/4	3	6	8 5/8	13/16	7	5	14 1/4	11 3/4	10 7/16	0	2	7/8	155	
	36T2000G2	36	59 1/2	62 1/4	3	6	8 5/8	13/16	7	5	14 1/4	11 3/4	10 7/16	0	2	7/8	168	
	48T2000G2	48	71 1/2	74 1/4	3	6	8 5/8	13/16	7	5	14 1/4	11 3/4	10 7/16	0	2	7/8	185	
3 3/16	18T2000H2	18	43 1/4	46	3	6	8 5/8	13/16	7	6	16	12 5/8	11	0	2	7/8	150	
	24T2000H2	24	49 1/4	52	3	6	8 5/8	13/16	7	6	16	12 5/8	11	0	2	7/8	160	
	30T2000H2	30	55 1/4	58	3	6	8 5/8	13/16	7	6	16	12 5/8	11	0	2	7/8	170	
	36T2000H2	36	61 1/4	64	3	6	8 5/8	13/16	7	6	16	12 5/8	11	0	2	7/8	180	
	48T2000H2	48	73 1/4	76	3	6	8 5/8	13/16	7	6	16	12 5/8	11	0	2	7/8	200	
3 7/16	18T2000J2	18	43 1/4	46	3	6	8 5/8	13/16	7	6	16	12 5/8	12 3/8	0	2	1	150	
	24T2000J2	24	49 1/4	52	3	6	8 5/8	13/16	7	6	16	12 5/8	12 3/8	0	2	1	160	
	30T2000J2	30	55 1/4	58	3	6	8 5/8	13/16	7	6	16	12 5/8	12 3/8	0	2	1	170	
	36T2000J2	36	61 1/4	64	3	6	8 5/8	13/16	7	6	16	12 5/8	12 3/8	0	2	1	180	
	48T2000J2	48	73 1/4	76	3	6	8 5/8	13/16	7	6	16	12 5/8	12 3/8	0	2	1	200	

**P" = "G" + "R" = shaft height of manufacturer's pillow block
 Other pillow block mounting hole patterns are available on request.
 Type of manufacturer's pillow block and number of mounting holes should be stated on purchase order.
 For sizes of take-up frames not listed, contact the Browning Engineering Department.

T2000-4 BOLT

- T TAKE-UP FRAME
- 2 22200
- 0 SPHERICAL
- 0 BEARING
- 0 SERIES
- A SHAFT PIN CODE
- 4 FOUR BOLT MOUNTING



SHAFT DIA. IN	FRAME PART NO.	TRAVEL	Dimensions In Inches														UNIT WT.
			A	B	C	D	E	F	G	H	J	K	L	M	N		
			No.	Dia.													
2 3/16	18T2000D4	18	38 3/4	41 1/4	3	5 1/8	7 1/16	11/16	6 1/4	4 3/4	13 1/4	10 3/8	8 7/8	2	4	5/8	86
	24T2000D4	24	44 3/4	47 1/4	3	5 1/8	7 1/16	11/16	6 1/4	4 3/4	13 1/4	10 3/8	8 7/8	2	4	5/8	88
	30T2000D4	30	50 3/4	53 1/4	3	5 1/8	7 1/16	11/16	6 1/4	4 3/4	13 1/4	10 3/8	8 7/8	2	4	5/8	90
	36T2000D4	36	56 3/4	59 1/4	3	5 1/8	7 1/16	11/16	6 1/4	4 3/4	13 1/4	10 3/8	8 7/8	2	4	5/8	96
2 7/16	18T2000E4	18	38 3/4	41 1/4	3	5 1/8	7 1/16	11/16	6 1/4	4 3/4	13 1/4	10 3/8	8 7/8	1 7/8	4	5/8	86
	24T2000E4	24	44 3/4	47 1/4	3	5 1/8	7 1/16	11/16	6 1/4	4 3/4	13 1/4	10 3/8	8 7/8	1 7/8	4	5/8	88
	30T2000E4	30	50 3/4	53 1/4	3	5 1/8	7 1/16	11/16	6 1/4	4 3/4	13 1/4	10 3/8	8 7/8	1 7/8	4	5/8	90
	36T2000E4	36	56 3/4	59 1/4	3	5 1/8	7 1/16	11/16	6 1/4	4 3/4	13 1/4	10 3/8	8 7/8	1 7/8	4	5/8	96
2 11/16	18T2000F4	18	41 1/2	44 1/4	3	6	8 5/8	13/16	7	5	14 1/4	11 3/4	10 7/16	2 1/8	4	3/4	138
	24T2000F4	24	47 1/2	50 1/4	3	6	8 5/8	13/16	7	5	14 1/4	11 3/4	10 7/16	2 1/8	4	3/4	148
	30T2000F4	30	53 1/2	56 1/4	3	6	8 5/8	13/16	7	5	14 1/4	11 3/4	10 7/16	2 1/8	4	3/4	155
	36T2000F4	36	59 1/2	62 1/4	3	6	8 5/8	13/16	7	5	14 1/4	11 3/4	10 7/16	2 1/8	4	3/4	168
48T2000F4	48	71 1/2	74 1/4	3	6	8 5/8	13/16	7	5	14 1/4	11 3/4	10 7/16	2 1/8	4	3/4	185	
2 15/16	18T2000G4	18	41 1/2	44 1/4	3	6	8 5/8	13/16	7	5	14 1/4	11 3/4	10 7/16	2 1/8	4	3/4	138
	24T2000G4	24	47 1/2	50 1/4	3	6	8 5/8	13/16	7	5	14 1/4	11 3/4	10 7/16	2 1/8	4	3/4	148
	30T2000G4	30	53 1/2	56 1/4	3	6	8 5/8	13/16	7	5	14 1/4	11 3/4	10 7/16	2 1/8	4	3/4	155
	36T2000G4	36	59 1/2	62 1/4	3	6	8 5/8	13/16	7	5	14 1/4	11 3/4	10 7/16	2 1/8	4	3/4	168
48T2000G4	48	71 1/2	74 1/4	3	6	8 5/8	13/16	7	5	14 1/4	11 3/4	10 7/16	2 1/8	4	3/4	185	
3 3/16	18T2000H4	18	43 1/4	46	3	6	8 5/8	13/16	7	6	16	12 5/8	11	2 1/8	4	3/4	150
	24T2000H4	24	49 1/4	52	3	6	8 5/8	13/16	7	6	16	12 5/8	11	2 1/8	4	3/4	160
	30T2000H4	30	55 1/4	58	3	6	8 5/8	13/16	7	6	16	12 5/8	11	2 1/8	4	3/4	170
	36T2000H4	36	61 1/4	64	3	6	8 5/8	13/16	7	6	16	12 5/8	11	2 1/8	4	3/4	180
48T2000H4	48	73 1/4	76	3	6	8 5/8	13/16	7	6	16	12 5/8	11	2 1/8	4	3/4	200	
3 7/16	18T2000J4	18	43 1/4	46	3	6	8 5/8	13/16	7	6	16	12 5/8	12 3/8	2 3/8	4	7/8	150
	24T2000J4	24	49 1/4	52	3	6	8 5/8	13/16	7	6	16	12 5/8	12 3/8	2 3/8	4	7/8	160
	30T2000J4	30	55 1/4	58	3	6	8 5/8	13/16	7	6	16	12 5/8	12 3/8	2 3/8	4	7/8	170
	36T2000J4	36	61 1/4	64	3	6	8 5/8	13/16	7	6	16	12 5/8	12 3/8	2 3/8	4	7/8	180
48T2000J4	48	73 1/4	76	3	6	8 5/8	13/16	7	6	16	12 5/8	12 3/8	2 3/8	4	7/8	200	
3 15/16	18T2000K4	18	47 1/4	50	3	6	8 5/8	13/16	7	7 1/4	20	14 5/8	13 9/16	2 3/4	4	7/8	177
	24T2000K4	24	53 1/4	56	3	6	8 5/8	13/16	7	7 1/4	20	14 5/8	13 9/16	2 3/4	4	7/8	187
	30T2000K4	30	59 1/4	62	3	6	8 5/8	13/16	7	7 1/4	20	14 5/8	13 9/16	2 3/4	4	7/8	197
	36T2000K4	36	65 1/4	68	3	6	8 5/8	13/16	7	7 1/4	20	14 5/8	13 9/16	2 3/4	4	7/8	207
48T2000K4	48	77 1/4	80	3	6	8 5/8	13/16	7	7 1/4	20	14 5/8	13 9/16	2 3/4	4	7/8	226	
4 7/16	18T2000M4	18	53	55 1/2	4	7	10 1/4	15/16	7 3/4	8 1/2	23 1/2	17 1/2	15 5/16	3 1/4	4	1	280
	24T2000M4	24	59	61 1/2	4	7	10 1/4	15/16	7 3/4	8 1/2	23 1/2	17 1/2	15 5/16	3 1/4	4	1	296
	30T2000M4	30	65	67 1/2	4	7	10 1/4	15/16	7 3/4	8 1/2	23 1/2	17 1/2	15 5/16	3 1/4	4	1	306
	36T2000M4	36	71	73 1/2	4	7	10 1/4	15/16	7 3/4	8 1/2	23 1/2	17 1/2	15 5/16	3 1/4	4	1	318
48T2000M4	48	83	85 1/2	4	7	10 1/4	15/16	7 3/4	8 1/2	23 1/2	17 1/2	15 5/16	3 1/4	4	1	345	
4 15/16	18T2000N4	18	53	55 1/2	4	7	10 1/4	15/16	7 3/4	8 1/2	23 1/2	17 1/2	16 9/16	3 3/8	4	1 1/8	280
	24T2000N4	24	59	61 1/2	4	7	10 1/4	15/16	7 3/4	8 1/2	23 1/2	17 1/2	16 9/16	3 3/8	4	1 1/8	296
	30T2000N4	30	65	67 1/2	4	7	10 1/4	15/16	7 3/4	8 1/2	23 1/2	17 1/2	16 9/16	3 3/8	4	1 1/8	306
	36T2000N4	36	71	73 1/2	4	7	10 1/4	15/16	7 3/4	8 1/2	23 1/2	17 1/2	16 9/16	3 3/8	4	1 1/8	318
48T2000N4	48	83	85 1/2	4	7	10 1/4	15/16	7 3/4	8 1/2	23 1/2	17 1/2	16 9/16	3 3/8	4	1 1/8	345	

**P* = "G" + "R" = shaft height of manufacturer's pillow block
 Other pillow block mounting hole patterns are available on request.
 Type of manufacturer's pillow block and number of mounting holes should be stated on purchase order.
 For sizes of take-up frames not listed, contact the Browning Engineering Department.

Browning®

Spherical Roller Bearings

Spherical Roller Bearings 22200 and 22500 Series

This chart displays the Browning 22200 and 22500 Series Spherical Roller Bearing's load capacity for a given L10 life, speed and shaft size. Values in the table represent loads at ideal conditions. For combined load determination, see **THE BEARING SELECTION SECTION**, page 265. Areas designated by "-" exceed maximum speed value.

Match Bore Size

Size	Rating	L10 Hours	REVOLUTIONS PER MINUTE												
			50	100	150	250	500	750	1000	1500	1750	2000	2500	3000	3500
22515	34600	5000	10131	10131	10131	9475	7696	6814	6251	5535	5285	5077	4749	4496	
		10000	10131	1013	8970	7696	6251	5535	5077	4496	4293	4124	3857	3652	
		30000	8970	7286	6452	5535	4496	3981	3652	3233	3087	2966	2774	2626	
		50000	7696	6251	5535	4749	3857	3415	3133	2774	2649	2545	2380	2253	
		100000	6251	5077	4496	3857	3133	2774	2545	2253	2151	2067	1933	1830	
22516	39600	5000	11595	11595	11595	10844	8808	7799	7154	6335	6049	5811	5435	5145	
		10000	11595	11595	10267	8808	7154	6335	5811	5145	4913	4720	4414	4179	
		30000	10267	8339	7384	6335	5145	4556	4179	3701	3533	3395	3175	3006	
		50000	8808	7154	6335	5435	4414	3909	3586	3175	3031	2912	2724	2579	
		100000	7154	5811	5145	4414	3586	3175	2912	2579	2462	2366	2212	2095	
22517	45400	5000	13293	13293	13293	12432	10098	8941	8202	7263	6934	6662	6231	5899	
		10000	13293	13293	11770	10098	8202	7263	6662	5899	5633	5411	5061	4792	
		30000	11770	9560	8465	7263	5899	5229	4792	4243	4051	3892	3640	3446	
		50000	10098	8202	7263	6231	5061	4481	4111	3640	3475	3339	3123	2957	
		100000	8202	6662	5899	5061	4111	3640	3339	2957	2823	2712	2536	2401	
22518	54900	5000	16074	16074	16074	15033	12211	10812	9918	8782	8385	8056	7535		
		10000	16074	16074	14233	12211	9918	8782	8056	7133	6811	6544	6120		
		30000	14233	11561	10237	8782	7133	6316	5794	5131	4899	4706	4402		
		50000	12211	9918	8782	7535	6120	5419	4971	4402	4203	4038	3776		
		100000	9918	8056	7133	6120	4971	4402	4038	3575	3414	3280	3067		
22520	70000	5000	20495	20495	20495	19168	15569	13786	12646	11198	10692	10272			
		10000	20495	20495	18148	15569	12646	11198	10272	9096	8684	8343			
		30000	18148	14741	13052	11198	9096	8054	7388	6542	6246	6001			
		50000	15569	12646	11198	9607	7803	6909	6338	5612	5359	5148			
		100000	12646	10272	9096	7803	6338	5612	5148	4559	4353	4182			
22522	91800	5000	26878	26878	26878	25138	204018	18080	16585	14685	14022	13471	12928	12471	
		10000	26878	26878	23800	20418	16585	14685	13471	11928	11389	10942			
		30000	23800	19331	17117	14685	11928	10562	9689	8579	8191	7870			
		50000	20418	16585	14685	12599	10233	9061	8312	7360	7027	6751			
		100000	16585	13471	11928	10233	8312	7360	6751	5978	5708	5484			
22524	105000	5000	30743	30743	30743	28752	23354	20679	18969	16797	16038	15608			
		10000	30743	30743	27222	23354	18969	16797	15408	13643	13027				
		30000	27222	22111	19579	16797	13643	12081	11082	9813	9639				
		50000	23354	18969	16797	14410	11705	10364	9507	8418	8038				
		100000	18969	15408	13643	11705	9507	8418	7722	6838	6529				
22526	124000	5000	36306	36306	36306	33955	27580	24421	22402	19836	18936	18404			
		10000	36306	36306	32148	27580	22402	19836	18196	16112	15384				
		30000	32148	26112	23121	19836	16112	14267	13087	11588	11064				
		50000	27580	22402	19836	17018	13823	12240	11228	9942	9492				
		100000	22402	18196	16112	13823	11228	9942	9120	8075	7710				
22528	140000	5000	40991	40991	40991	38336	31139	27572	25293	22396	22396				
		10000	40991	40991	36296	31139	25293	22396	20544	18191	18191				
		30000	36296	29481	26105	22396	18191	16108	14776	13083	13083				
		50000	31139	25293	22396	19214	15606	13819	12676	11244	11244				
		100000	25293	20544	18191	15606	12676	1124	10296	9117	9117				
22530	166000	5000	48603	48603	48603	45456	36922	3293	29990	26555	26555				
		10000	48603	48603	43037	36922	29990	26555	24359	21569	21569				
		30000	43037	34957	30953	26555	21569	19099	17520	15513	15513				
		50000	36922	29990	26555	22782	18505	16385	15031	13309	13309				
		100000	29990	24359	21569	18505	15031	13309	12209	10810	10810				
22532	194000	5000	56801	56801	56801	53123	43150	38208	35048	31034	31034				
		10000	56801	56801	50296	43150	35048	31034	28468	25208	25208				
		30000	50296	40853	36174	31034	25208	22321	20475	18130	18130				
		50000	43150	35048	31034	26625	21626	19149	17566	15554	15554				
		100000	35048	28468	25208	21626	17566	15554	14268	12634	12634				
22534	220000	5000	64414	64414	64414	60243	48933	43328	39746	35193	35193				
		10000	64414	64414	57036	48933	39746	35193	32283	28319	28319				
		30000	57036	46328	41022	35193	28586	25312	23219	20319	20319				
		50000	48933	39746	35193	30193	24524	21716	19920	17638	17638				
		100000	39746	32283	28586	24524	19920	17638	16180	14180	14180				
22536	227000	5000	66463	66463	66463	62160	50489	44707	41010	36313	36313				
		10000	66463	66463	58851	50489	41010	36313	33311	29358	29358				
		30000	58851	47802	42327	36313	29495	26117	23958	20554	20554				
		50000	50489	41010	36313	31154	25305	22406	20554	18200	18200				
		100000	41010	33311	29495	25305	20554	18200	16695	14695	14695				
22538	250000	5000	73198	73198	73198	68458	55605	49237	45165	39993	39993				
		10000	73198	73198	64814	55605	45165	39993	36686	32686	32686				
		30000	64814	52645	46616	39993	32484	28764	26385	23636	23636				
		50000	55605	45165	39993	34310	27869	24677	22636	20344	20344				
		100000	45165	36686	32484	27869	22636	20044	18386	16386	16386				
22540	286000	5000	83738	83738	83738	78316	63612	56327	51669	45751	45751				
		10000	83738	83738	74147	63612	51669	45751	41968	37162	37162				
		30000	74147	60226	53329	45751	37162	32905	30185	26896	26896				
		50000	63612	51669	45751	39251	31882	28230	25896	22930	22930				
		100000	51669	41968	37162	31882	25896	22930	21034	19034	19034				
22544	342000	5000	100134	100134	100134	93651	76068	67356	61786	54710	54710				
		10000	100134	100134	88666	76068	61786	54710	49349	44438	44438				
		30000	88666	72019	63770	61786	54710	49349	44438	39349	39349				
		50000	76068	61786	54710	46836	38124	33758	30967	27420	27420				
		100000	61786	50186	44438	38124	30967	27420	24200	21034	21034				